

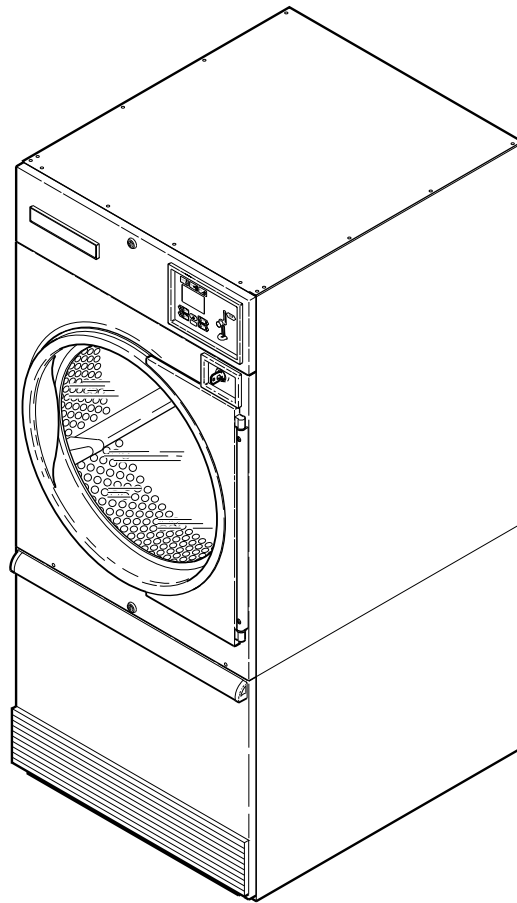
Drying Tumblers

25 Pound (220 Liter) Capacity

30 Pound (270 Liter) Capacity

35 Pound (350 Liter) Capacity

Refer to Page 5 for Model Numbers



T463P_70184901

Table of Contents

Title	Page
Parts Ordering Information.....	3
Serial Plate Location	3
Model Identification	5
Electronic Coin Drop Components.....	6
Coin Drop Assemblies	8
Card Reader Components	10
Electromechanical Coin Drop Components	12
Rotary Coin Drop Assemblies.....	14
Manual Dual Timer Controls	16
OPL Microprocessor Controls.....	18
Card Reader for NetMaster Models	20
Coin Drop Components for NetMaster Models	22
Network Board for NetMaster Models	24
Communication Board for NetMaster Models	26
Cabinet Front Components (Drawing 1 of 2)	28
Cabinet Front Components (Drawing 2 of 2)	30
Lower Cabinet Front Components	32
Cabinet Components	34
Door and Hinge Components	36
Cylinder Components - Models Through Serial No. 9712xxxx	38
Cylinder Components - Models Starting Serial No. 9712xxxx	40
Drive Motor Components	42
Drive Motors.....	44
Drive Motor and Pulley Assemblies for 0350 Models.....	46
Blower Components.....	48
Fan Motors for 0220 and 0270 Models	50
Fan Motors for 0350 Models	52
Airflow Switch and Gas Burner Components.....	54
Gas Burner Housing	56
Gas Valve and Piping	58
Burner Orifice for Liquid Petroleum Gas	60
Burner Orifice for Natural Gas	62
Electric Heater Components	64
Steam Heater.....	66
Steam Solenoid Valve.....	68
Control Tray - Non-CE and Non-Australian Gas Models	70
Control Tray - Non-CE and Non-Australian Steam Models.....	72
Control Tray - Non-CE and Non-Australian Electric Models	74
Accessory Box - Non-CE and Non-Australian Electric Models	76
Control Tray - CE and Australian Gas Models	78
Control Tray - CE Steam Models	80

© Copyright 2023, Alliance Laundry Systems LLC

All rights reserved. No part of the contents of this book may be reproduced or transmitted in any form or by any means without the expressed written consent of the publisher.

Control Tray - CE Electric Models.....	82
Accessory Box - CE Electric Models.....	84
Parts Index.....	87

Parts Ordering Information

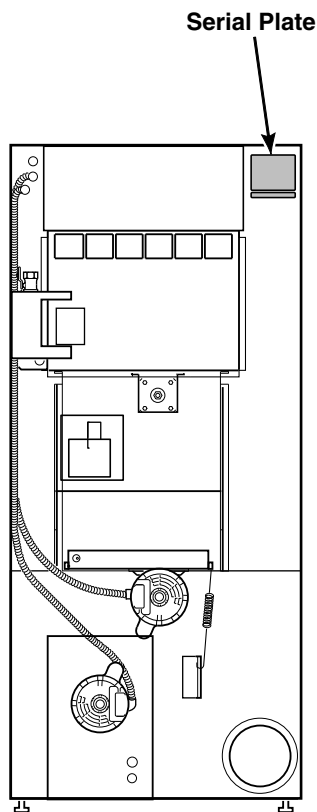
If literature or replacement parts are required, contact the source from whom the machine was purchased or contact Alliance Laundry Systems at (920) 748-3950 for the name and address of the nearest authorized parts distributor.

For technical assistance, call the number listed below:

(920) 748-3121 Ripon, Wisconsin

Serial Plate Location

When calling or writing about your product, be sure to mention model and serial numbers. Model and serial numbers are located on serial plate(s) as shown.



TMB2462P_70184901

Model Identification

Information in this manual is applicable to these tumbler models:

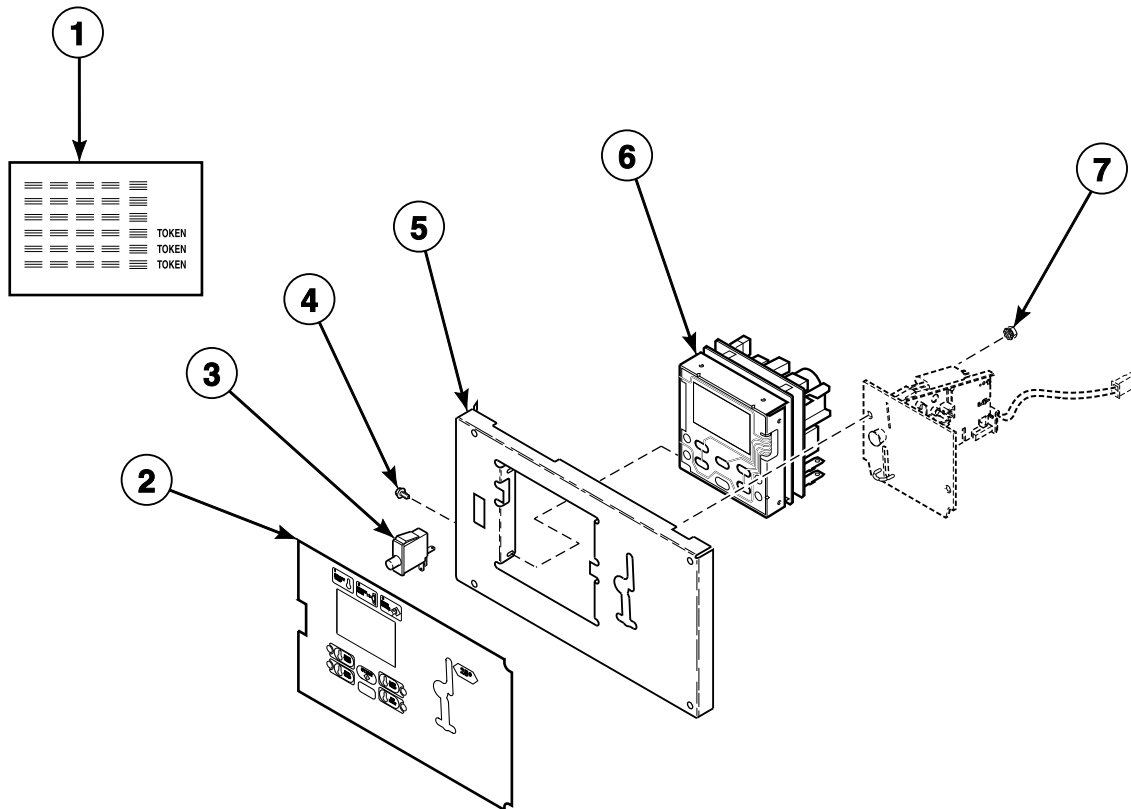
DA0220SRG	DT0350SEL	JC0350SEL	PC0220SSL	SC0220SRG
DA0270SRG	DT0350SFG	JC0350SFG	PC0270SEL	SC0220SSH
DA0350SRG	DT0350SRG	JC0350SRG	PC0270SFG	SC0220SSL
DC0220SEL	DT0350SSH	JC0350SSH	PC0270SRG	SC0270SEL
DC0220SFG	DT0350SSL	JC0350SSL	PC0270SSH	SC0270SFG
DC0220SRG	GC0220SEL	JT0220SEL	PC0270SSL	SC0270SRG
DC0220SSH	GC0220SSL	JT0220SFG	PC0350SEL	SC0270SSH
DC0220SSL	GC0270SEL	JT0220SRG	PC0350SFG	SC0270SSL
DC0270SEL	GC0270SFG	JT0220SSH	PC0350SRG	SC0350SEL
DC0270SFG	GC0270SRG	JT0220SSL	PC0350SSH	SC0350SFG
DC0270SRG	GC0270SSH	JT0270SEL	PC0350SSL	SC0350SRG
DC0270SSH	GC0270SSL	JT0270SFG	PT0220SEL	SC0350SSH
DC0270SSL	GT0220SSL	JT0270SRG	PT0220SFG	SC0350SSL
DC0350SEL	GT0270SEL	JT0270SSH	PT0220SRG	ST0220SEL
DC0350SFG	GT0270SFG	JT0270SSL	PT0220SSH	ST0220SFG
DC0350SRG	GT0270SRG	JT0350SEL	PT0220SSL	ST0220SRG
DC0350SSH	GT0270SSH	JT0350SFG	PT0270SEL	ST0220SSH
DC0350SSL	GT0270SSL	JT0350SRG	PT0270SFG	ST0220SSL
DT0220SEL	JA0220SRG	JT0350SSH	PT0270SRG	ST0270SEL
DT0220SFG	JA0270SRG	JT0350SSL	PT0270SSH	ST0270SFG
DT0220SRG	JA0350SRG	LC0350SRG	PT0270SSL	ST0270SRG
DT0220SSH	JC0220SEL	LT0220SRG	PT0350SEL	ST0270SSH
DT0220SSL	JC0220SFG	LT0270SRG	PT0350SFG	ST0270SSL
DT0270SEL	JC0220SRG	LT0350SRG	PT0350SRG	ST0350SEL
DT0270SFG	JC0220SSH	PA0220SRG	PT0350SSH	ST0350SFG
DT0270SRG	JC0220SSL	PA0270SRG	PT0350SSL	ST0350SRG
DT0270SSH	JC0270SEL	PA0350SRG	SA0220SRG	ST0350SSH
DT0270SSL	JC0270SFG	PC0220SEL	SA0270SRG	ST0350SSL
	JC0270SRG	PC0220SFG	SA0350SRG	
	JC0270SSH	PC0220SRG	SC0220SEL	
	JC0270SSL	PC0220SSH	SC0220SFG	

Control suffix designation (10th and 11th characters):

CD – rotary coin drop	EY – electronic card ready	OM – OPL micro
CX – prep for coin	MT – manual timer	ZC – NetMaster coin network
CY – prep for card	NC – NetMaster coin	ZR – NetMaster card network
EC – electronic coin	NR – NetMaster card	ZX – NetMaster network, prep for coin
EP – electronic card reader	NX – NetMaster, prep for coin	ZY – NetMaster network, prep for card
EX – electronic coin ready	NY – NetMaster, prep for card	

Electronic Coin Drop Components

Models with EC and EX Control Suffixes

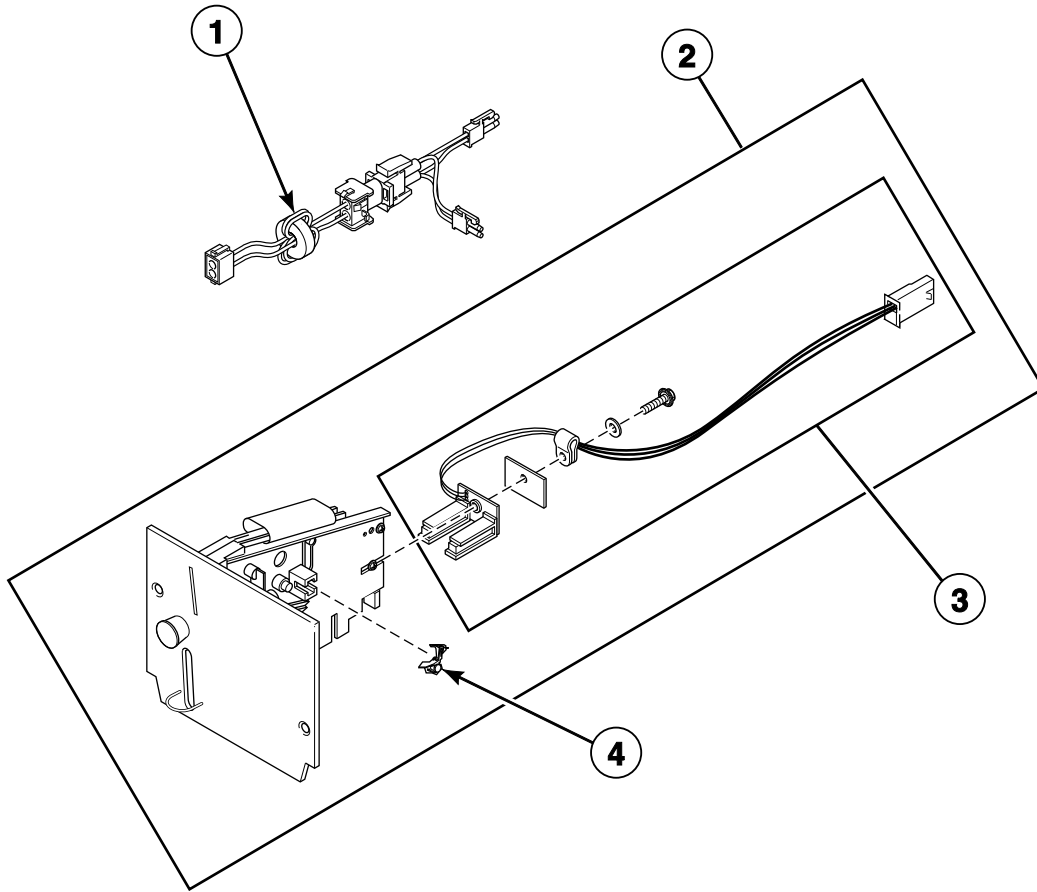


TMB2920P_70184901

Electronic Coin Drop Components

REF	PART NO.	DESCRIPTION	COMMENTS
	70216501P	Dual Overlay Kit	SC and ST models; Text; Includes item 1
	70216601P	Dual Overlay Kit	SC and ST models; Icon; Includes item 1
	70216701P	Dual Overlay Kit	JC and JT models; Text; Includes item 1
	70216801P	Dual Overlay Kit	JC and JT models; Text with infared; Includes item 1
	70216901P	Dual Overlay Kit	JC and JT models; Icon; Includes item 1
	M4686P3	Electronic Coin Control Kit	DA, DT, GT, JA, JT, LT, PA, PT, SA and ST models; Does not include overlay or harness
	431611	Multiplier Harness Assembly	
	70083801	Coin Vault Harness Assembly	
	70082701P	Control Panel Harness Assembly	DA, DC, GC, JA, JC, LC, PA, PC, SA and SC models
	70055801P	Control Harness Assembly	DT, GT, JT, LT, PT and ST models
	70084201	Jumper Calibration Assembly	0220 and 0270 models
1	38725	Coin Identification Paper	
2	70113701	Overlay	LC, LT, SA, SC and ST models; Text
	70114101	Overlay	JA, JC and JT models; Text
	70173601	Overlay	JA, JC and JT models; Models without coin
	70128501	Overlay	JA, JC and JT models; International text
	70128001	Overlay	LC, LT, SA, SC and ST models; Icon
	70130101	Overlay	PA, PC and PT models; Icon
	70130801	Overlay	JA, JC and JT models; Icon
3	70413301	Pushbutton Switch	
4	D501524	Screw	For mounting EDC control
5	70175801	Control Plate Assembly	Includes studs
6	M414049P	Control Kit	Model and serial number of machine required - part no longer available for units built prior to 1/1/2004 per field bulletin FB15-164
7	70054	Nut	

Coin Drop Assemblies



TMB2738P_70184901

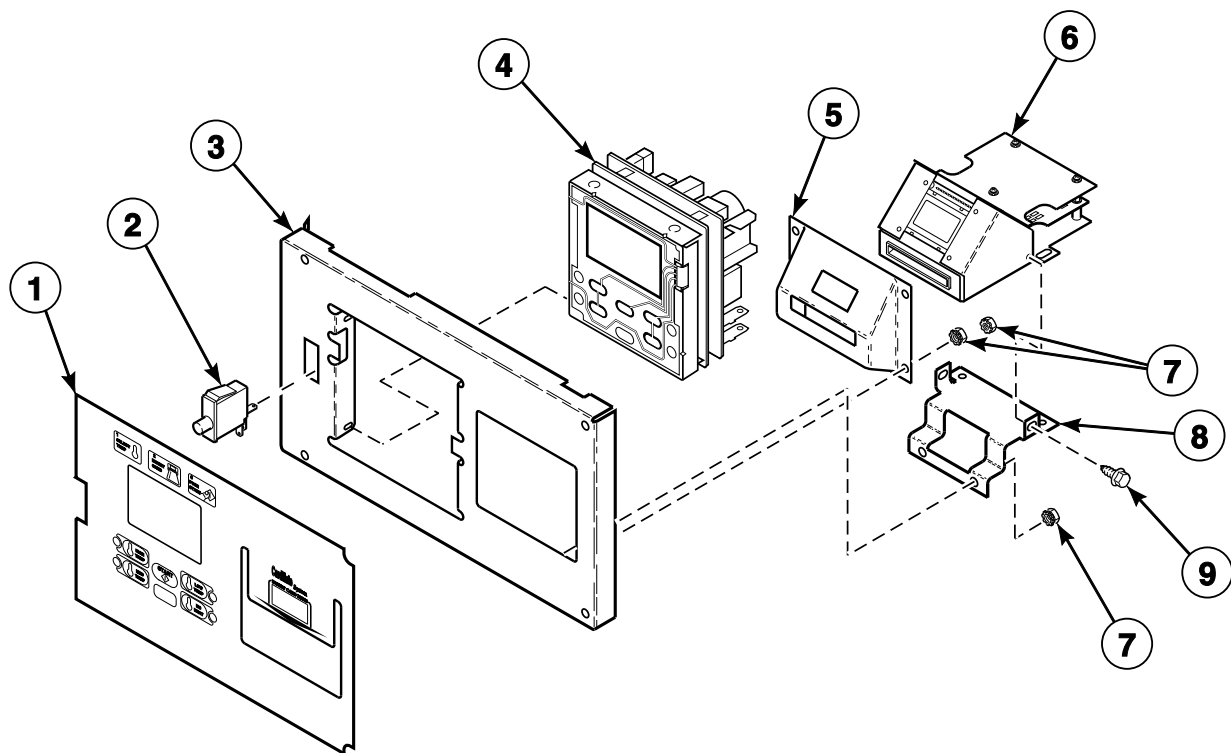
Coin Drop Assemblies

REF	PART NO.	DESCRIPTION	COMMENTS
1	44065801	Electronic Coin Drop Harness	
2	38462P	Coin Drop Assembly	Token 118-1
	38463	Coin Drop Assembly	Token 118-5
	38464P	Coin Drop Assembly	Canada; .25
	70441602	Coin Drop Assembly	Canada; .25 and 1.00
	38467	Coin Drop Assembly	Australia; .20 and 1.00
	38472	Coin Drop Assembly	England; 20 pence and 1 pound
	70441601P	Coin Drop	USA; \$.25 MZP
	N/A	Coin Drop Assembly	Denmark; 1 and 5 DKK
	38519	Coin Drop Assembly	Japan; 100 and 500 yen
	38521	Coin Drop Assembly	Korea; 100 and 500 won
	N/A	Coin Drop Assembly	New Zealand; .20 and 1.00
	38963P	Coin Drop	Token 118-16 not available; Replacement for 38963P Coin Drop only
	N/A	Coin Drop Assembly	Taiwan; 5 NT and 10 NT; Dual drop
	39157	Coin Drop Assembly	Israel; Shekel
	38475	Coin Drop Assembly	Japan; 100 yen
	CK077	Coin Drop Kit	Taiwan; 10 NT
	38521	Coin Drop Assembly	Korea; 100 and 500 won
	210195	Coin Drop Assembly	Euro; .20 and 1.00
	210196	Coin Drop Assembly	Euro; .50 and 1.00
	70256402P	Coin Drop	USA; \$.25 and \$1.00; Dual drop
3	200674P	Opto Coupler	
4	201595P	Wire Guard	

N/A = Part no longer available

Card Reader Components

Models with EP and EY Control Suffixes



T444PZ3A_70184901

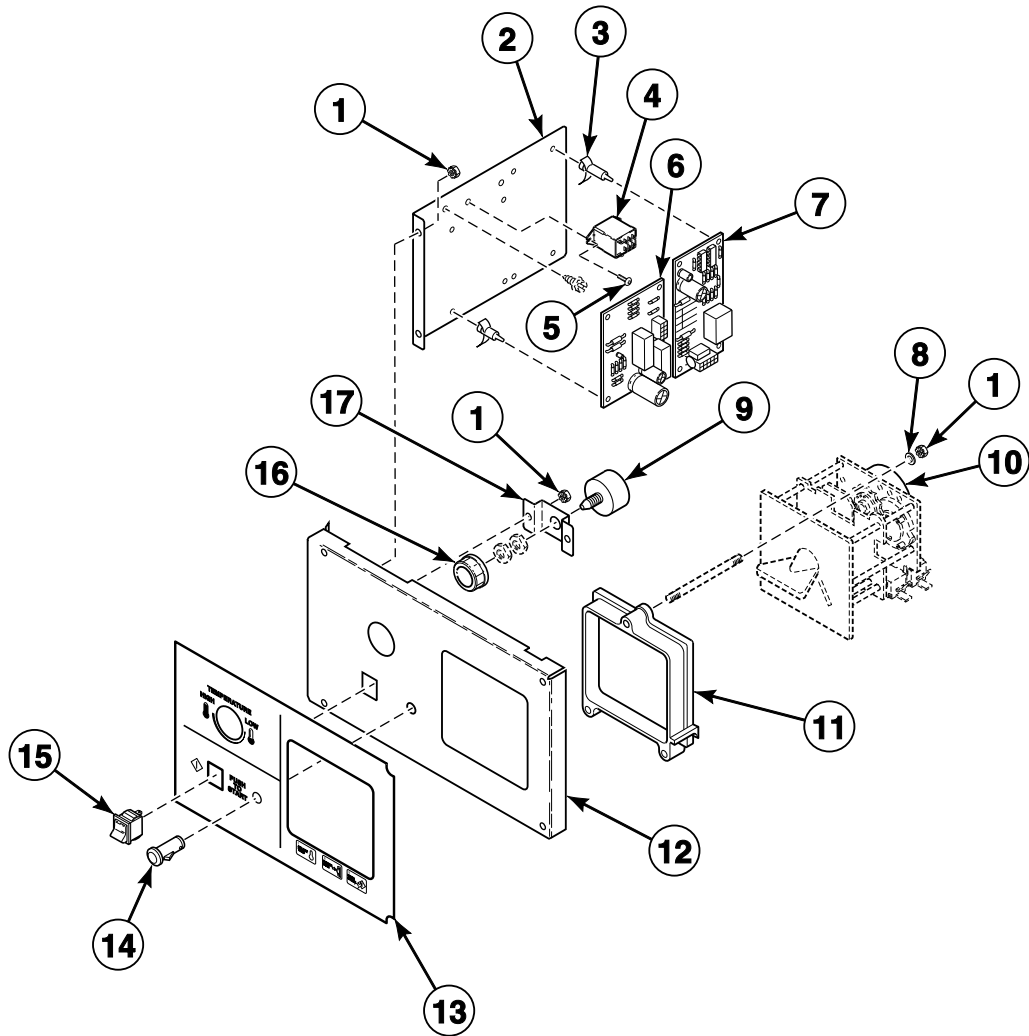
Card Reader Components

REF	PART NO.	DESCRIPTION	COMMENTS
	431613	Card Reader Harness Assembly	
	70082701P	Control Panel Harness Assembly	DA, DC, GC, JA, JC, LC, PA, PC, SA and SC models
	70055801P	Control Harness Assembly	DT, GT, JT, LT, PT and ST models
	70084201	Jumper Calibration Assembly	0220 and 0270 models
1	N/A	Overlay	ST models
	N/A	Overlay	JT models
2	70413301	Pushbutton Switch	
3	70175802	Control Plate Assembly	Includes studs
4	M414049P	Control Kit	
5	N/A	Card Reader Mounting Bracket	
6	39685P	Card Reader	
7	70054	Nut	
8	N/A	Chassis Mounting Bracket	
9	D501524	Screw	For mounting electronic control

N/A = Part no longer available

Electromechanical Coin Drop Components

Models with CD Control Suffix



TMB1958P_70184901

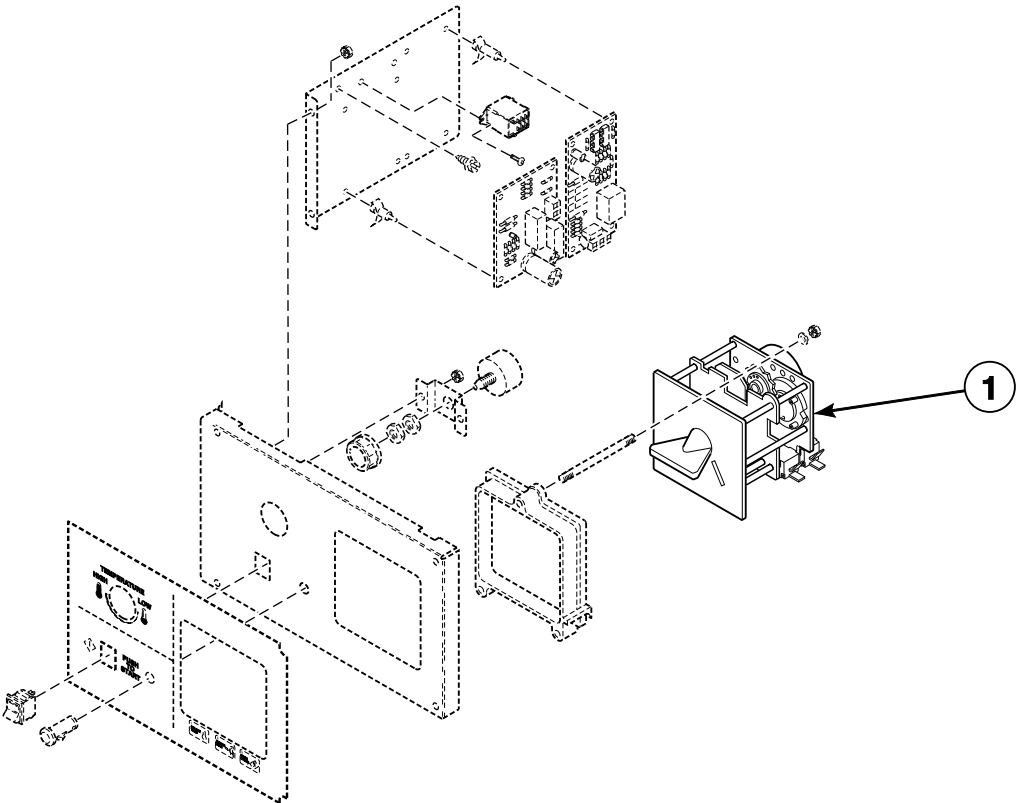
Electromechanical Coin Drop Components

REF	PART NO.	DESCRIPTION	COMMENTS
	M400972	Shadow Box Clip	For trim pieces
	M4688P3	Rotary Coin Drop Control Kit	Does not include overlay, temperature knob or harness
	70082601	Control Panel Harness Assembly	Models through Serial No. 9806021651
	70179801	Control Panel Harness	Models starting Serial No. 9806021652; For time delay board
	70084101	Jumper Configuration Assembly	0220 and 0270 models
	70084102	Jumper Configuration Assembly	0350 models
1	70054	Nut	
2	70063501	Mounting Bracket	Models through Serial No. 9806021652
	70178901	Mounting Bracket	Models starting Serial No. 9806021652
3	34896	Circuit Board Support	
4	M412534	Relay	Models through Serial No. 9806021652
5	M402797	Screw	Models through Serial No. 9806021652
6	70175301P	Timer Control Assembly	
7	431347P	Thermostat Module	
8	M405535	Washer	For coin drop mounting
9	70475001P	Temperature Kit	Potentiometer
10	70218201	Timer Motor	CD control suffix; 24 Volt/60 Hertz
	70218301	Timer Motor	CD control suffix; 24 Volt/50 Hertz
11	70061701	Rotary Drop Shroud	
12	70175804	Control Plate Assembly	With studs
13	70113501	Overlay	SA, SC and ST models; Text
	70114301	Overlay	JA, JC and JT models; Text
	70131001	Overlay	SA, SC and ST models; Icon
	70134801	Overlay	JA, JC and JT models; Icon
14	70082201	Indicator Light	
15	70108501	Start Switch	
16	70080601	Temperature Knob	SA, SC and ST models
	N/A	Temperature Knob	JA, JC and JT models
17	70080701	Mounting Bracket	

N/A = Part no longer available

Rotary Coin Drop Assemblies

Models with CD Control Suffix



TMB1958PA_70184901

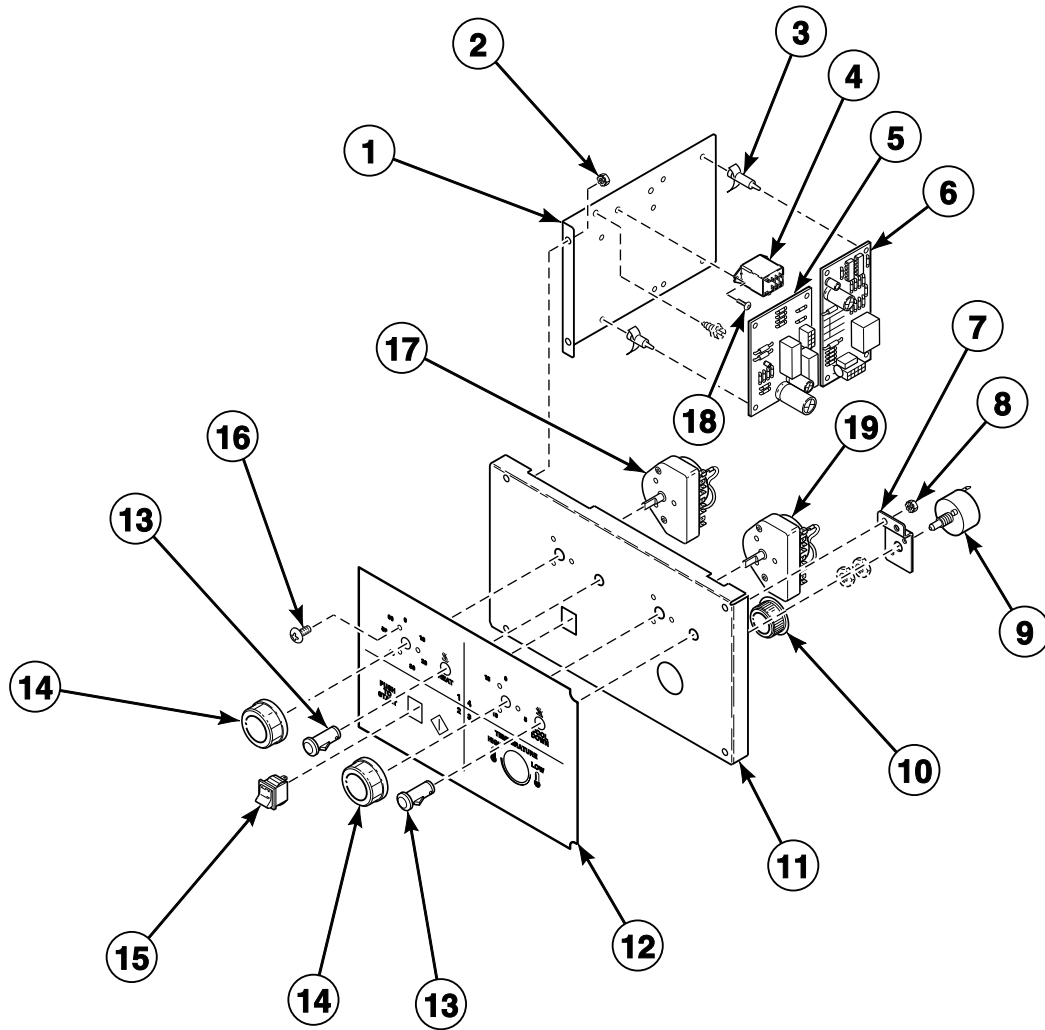
Rotary Coin Drop Assemblies

REF	PART NO.	DESCRIPTION	COMMENTS
1	N/A	Coin Meter	24 Volt; Australian; .20
	70112501P	Coin Meter	24 Volt; Australian; 1.00
	70112701P	Coin Meter	24 Volt; USA; \$.25
	70137301P	Coin Meter	24 Volt/60 Hertz; Token 118-1
	70137401P	Coin Meter	24 Volt/60 Hertz; Token 118-5
	70151301	Coin Meter	24 Volt; South Africa; .20
	N/A	Coin Meter	24 Volt; England; 20 pence
	N/A	Coin Meter	24 Volt; Denmark; 1 DKK
	M412546	Coin Meter	24 Volt; Token 118-1
	N/A	Coin Meter	24 Volt/50 Hertz; Token 118-5
	70262401	Coin Meter	24 Volt; Euro; .20
	N/A	Coin Meter	24 Volt; Euro; .50

N/A = Part no longer available

Manual Dual Timer Controls

Models with MT Control Suffix



T142K_70184901

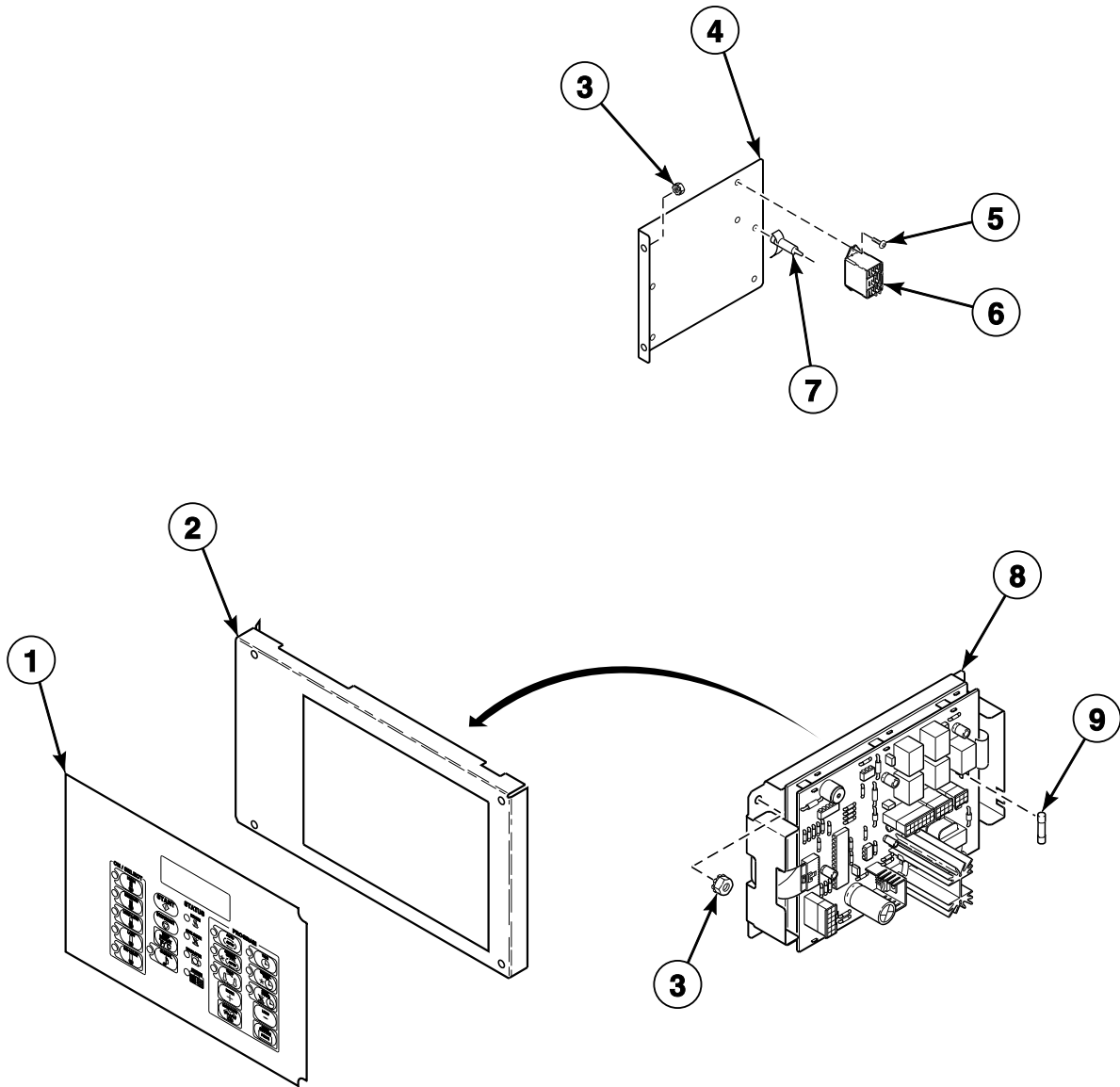
Manual Dual Timer Controls

REF	PART NO.	DESCRIPTION	COMMENTS
	M4690P3	Manual Timer Control Kit	Does not include overlay, temperature knob or harness
	70082501P	Control Panel Harness Assembly	Models through June 1998
	70179901P	Control Panel Harness	Models starting June 1998
	70084101	Jumper Configuration Assembly	0220 and 0270 models
	70084102	Jumper Configuration Assembly	0350 models
1	70063501	Mounting Bracket	Models through Serial No. 9806021652
	70178901	Mounting Bracket	Models starting Serial No. 9806021652
2	70054	Nut	
3	34896	Circuit Board Support	
4	M412534	Relay	24 Volt/50 or 60 Hertz/1 Phase
5	70175301P	Timer Control Assembly	
6	431347P	Thermostat Module	Temperature control board
7	70080701	Mounting Bracket	
8	M400977	Nut	
9	70475001P	Temperature Kit	Potentiometer
10	70080601	Temperature Knob	DT and ST models
	N/A	Temperature Knob	JT models
11	70175803	Control Plate Assembly	Includes studs
12	70114501	Overlay	DA, DC, DT, SA, SC and ST models; Text
	70134901	Overlay	DA, DC, DT, SA, SC and ST models; Icon
	70114201	Overlay	JA, JC and JT models; Text
	70245901	Overlay	PA, PC and PT models; Icon
	N/A	Overlay	JA, JC and JT models; Icon
13	70082201	Indicator Light	Heat and cooling
14	70082101	Timer Knob	DT and ST models
	M410927	Knob	Timer; JT models
15	70108501	Start Switch	Rocker
16	M411052	Screw	
17	N/A	Timer	Heat; 50 Hertz; 60 minute; 24 Volt
	70131701P	Timer	Heat; 60 Hertz; 60 minute; 24 Volt
18	M402797	Screw	
19	M412079P	Timer	Cooling; 50 Hertz; 15 minute; 24 Volt
	70131801P	Timer	Cooling; 60 Hertz; 15 minute; 24 Volt

N/A = Part no longer available

OPL Microprocessor Controls

Models with OM Control Suffix



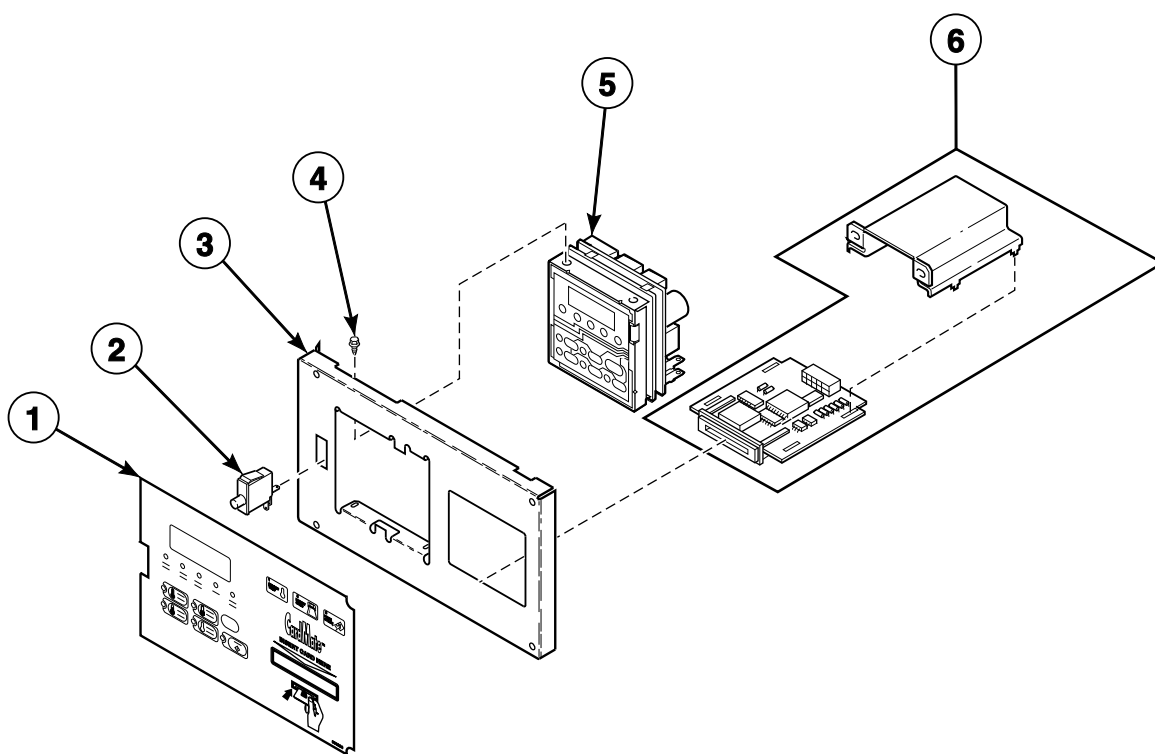
T478PZ3A_70184901

OPL Microprocessor Controls

REF	PART NO.	DESCRIPTION	COMMENTS
	M4689P3	Electronic OPL Control Kit	DA, DT, GT, JA, JT, LT, PA, PT, SA and ST models; Dual secondary transformers (M414228 for 100-240 VAC and M414229 for 380-480 VAC) must be used with this kit; Does not include overlay or harness
	M4695P3	Electronic OPL Control Kit	DC, GC, JC, LC, PC and SC models
	70082801P	Control Panel Harness Assembly	DT, GT, JT, LT, PT and ST models
	70082901	Control Panel Harness Assembly	DA, DC, GC, JA, JC, LC, PA, PC, SA and SC models
	70084303	Jumper Calibration Assembly	0220 and 0270 models
	70084301	Jumper Calibration Assembly	0350 models
1	70115801	Overlay	DA, DC, DT, LC, SA, SC and ST models; Nonreversing; Icon and text
	70128401	Overlay	DA, DC, DT, SA, SC and ST models; Reversing; Icon and text
	70130401	Overlay	DA, DC, DT, LT, SA, SC and ST models; Nonreversing; Icon
	70130501	Overlay	DA, DC, DT, SA, SC and ST models; Reversing; Icon
	70128701	Overlay	JA, JC and JT models; Nonreversing; Icon and text
	70130601	Overlay	JA, JC and JT models; Nonreversing; Icon and text
	70128601	Overlay	JA, JC and JT models; Reversing; Icon
	70130701	Overlay	JA, JC and JT models; Reversing; Icon
	70135301	Overlay	PA, PC and PT models; Reversing; Icon
	70130301	Overlay	PA, PC and PT models; Icon
2	70175805	Control Plate Assembly	DT, JT, LT and ST models; With studs
	70175806	Control Plate Assembly	DA, DC, JA, JC, LC, SA and SC models; With studs
3	70054	Nut	
4	70063501	Mounting Bracket	
5	M402797	Screw	
6	M412534	Relay	
7	34896	Circuit Board Support	
8	70228401P	Control Kit	
9	70406501	Fuse	1.25 Amp

Card Reader for NetMaster Models

J and S Models with NR, NY, ZR and ZY Control Suffixes



TMB369P_70184901

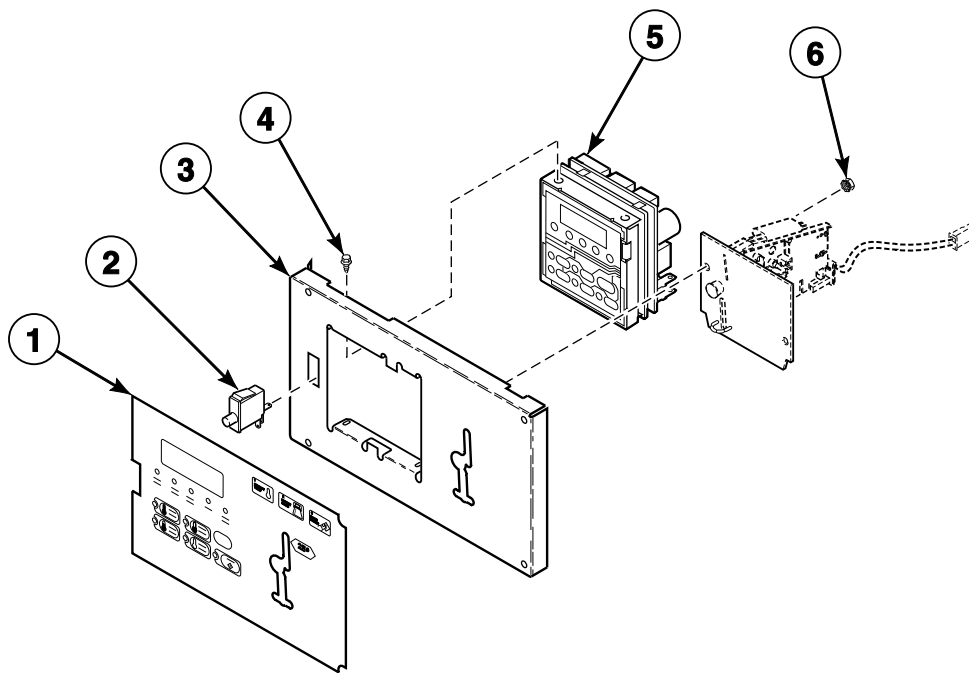
Card Reader for NetMaster Models

REF	PART NO.	DESCRIPTION	COMMENTS
	70208801	Mounting Plate	Use with 70348801 Control Plate Assembly
	70206301P	Control Panel Harness Assembly	JT and ST models
	70235801	Control Panel Harness Assembly	JA, JC, SA and SC models
	70211701	Jumper Calibration Assembly	0220 and 0270 models
	70211702	Jumper Calibration Assembly	0350 models
	70206601	Card Reader Network Harness Assembly	ZR and ZY control suffixes
	70211801	Card Reader Harness Assembly	NR and NY control suffixes
1	N/A	Overlay	ST models; Card reader ready
	70184401	Overlay	ST models; Card reader
	N/A	Overlay	JT models; Card reader
	N/A	Overlay	JT models; Card reader ready
2	70413301	Pushbutton Switch	
3	N/A	Control Plate Assembly	Card reader models
	70497201	Control Plate Assembly	Card ready models
4	D501524	Screw	
5	D505905P	Control Kit	
6	D510068P	Card Reader and Bracket Assembly	

N/A = Part no longer available

Coin Drop Components for NetMaster Models

J and S Models with NC, NX, ZC and ZX Control Suffixes



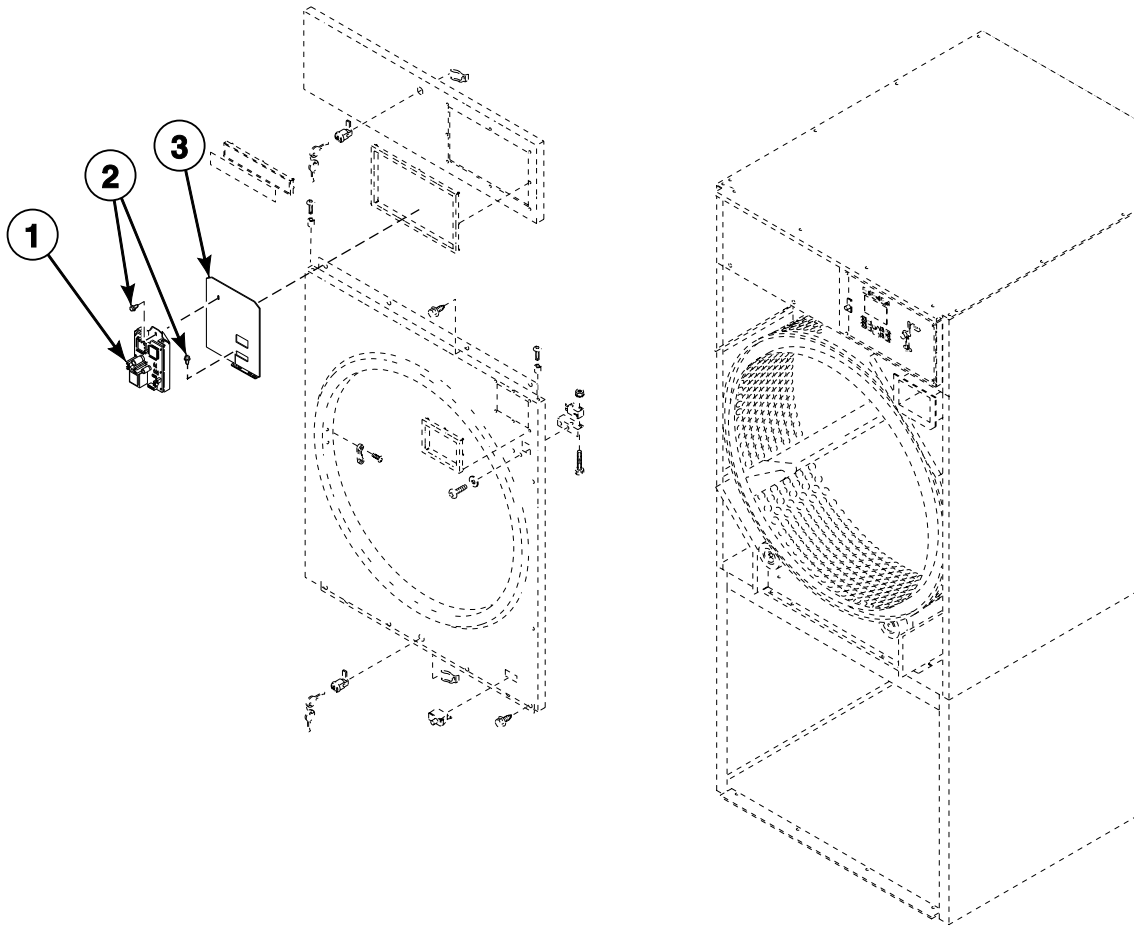
TMB370P_70184901

Coin Drop Components for NetMaster Models

REF	PART NO.	DESCRIPTION	COMMENTS
	M4686P3	Electronic Coin Control Kit	JA, JT, SA and ST models; Does not include overlay or harness
	70206301P	Control Panel Harness Assembly	JT and ST models
	70235801	Control Panel Harness Assembly	JA, JC, SA and SC models
	70211701	Jumper Calibration Assembly	0220 and 0270 models
	70211702	Jumper Calibration Assembly	0350 models
	70204801	Main Harness Assembly	
	70211703P	Jumper Calibration Assembly	
1	70184301	Overlay	ST models; Single drop
	70184302	Overlay	ST models; Dual drop
	70239601	Overlay	JT models; Single drop
	70239602	Overlay	JT models; Dual drop
2	70413301	Pushbutton Switch	
3	70175807	Control Plate Assembly	
4	D501524	Screw	For mounting NetMaster control
5	D505905P	Control Kit	
6	70054	Nut	

Network Board for NetMaster Models

J and S Models with ZC, ZR, ZX and ZT Control Suffixes



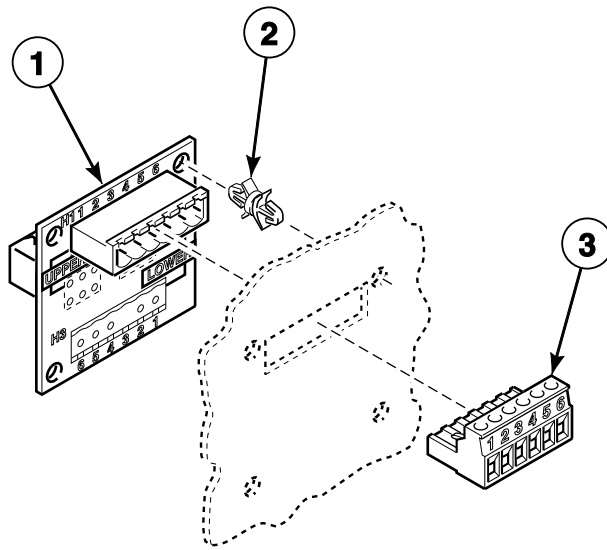
TMB375P_70184901

Network Board for NetMaster Models

REF	PART NO.	DESCRIPTION	COMMENTS
	800217	Network Wire Harness Assembly	
1	210016P	Network Board Assembly	
2	430497	Screw	
3	70201401	Network Plug Support	

Communication Board for NetMaster Models

J and S Models with ZC, ZR, ZX and ZY Control Suffixes

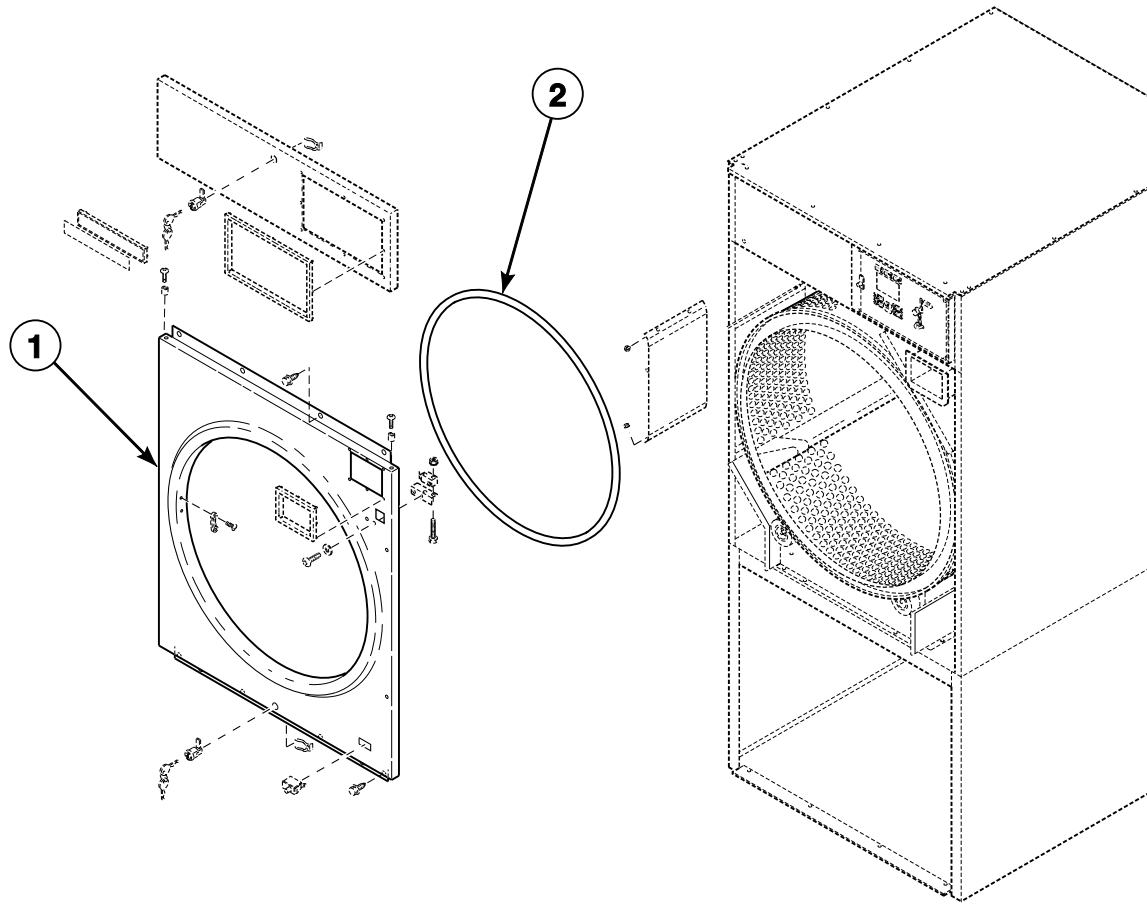


TMB1935P_70184901

Communication Board for NetMaster Models

REF	PART NO.	DESCRIPTION	COMMENTS
	800246	Communication Wire Harness Assembly	
	70211101	Communication Harness Assembly	
	210157P	Network Board	For desktop PC
	210165	Network Cable	For laptop PC
	210097	Communication Board	
1	210095P	Communication Board	
2	210098	PC Board Standoff	4 per machine
3	210155	3 Circuit Data Connector	

Cabinet Front Components (Drawing 1 of 2)



TMB1855P_70184901

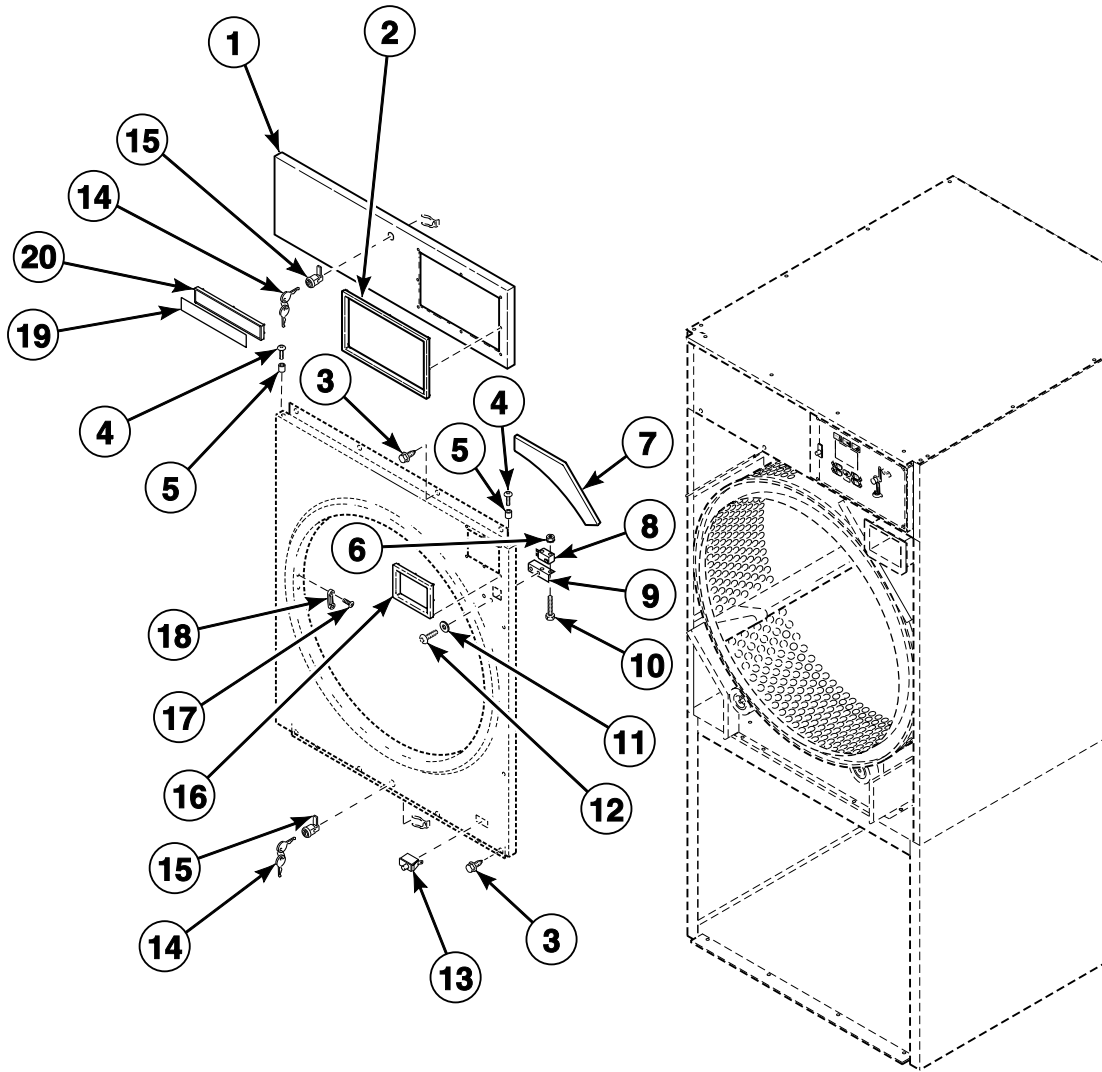
Cabinet Front Components (Drawing 1 of 2)

REF	PART NO.	DESCRIPTION	COMMENTS
	70000501*P	False Front	0220 and 0270 models; 72 inches
	70000502	False Front	0220 and 0270 models; 72 inches; Stainless steel
	70024201*P	False Front Assembly	0220 and 0270 models; 76 inches
	70024202P	False Front	0220 and 0270 models; 76 inches; Stainless steel
	70021101*P	False Front	0350 models; 72 inches
	70021102P	False Front Assembly	0350 models; 72 inches; Stainless steel
	70024001*P	False Front Assembly	0350 models; 76 inches
	70024002P	False Front Assembly	0350 models; 76 inches; Stainless steel
1	70176201*P	Front Panel Assembly	DA, DT, GT, JA, JT, LT, PA, PT, SA and ST 0220 and 0270 models with CD and EC control suffixes; Coin
	70176202P	Front Panel Assembly	DA, DT, GT, JA, JT, LT, PA, PT, SA and ST 0220 and 0270 models with CD and EC control suffixes; Coin; Stainless steel
	N/A	Front Panel Assembly	DA, DT, GT, JA, JT, LT, PA, PT, SA and ST 0220 and 0270 models with MT and OM control suffixes; OPL
	70176206P	Front Panel Assembly	DA, DT, GT, JA, JT, LT, PA, PT, SA and ST 0220 and 0270 models with MT and OM control suffixes; OPL; Stainless steel
	70176203*P	Front Panel Assembly	0220 and 0270 models with EP control suffix; Card reader
	70176204P	Front Panel Assembly	0220 and 0270 models with EP control suffix; Card reader; Stainless steel
	70176207*P	Front Panel Assembly	DC, GC, JC, PC and SC 0220 and 0270 models with CD and EC control suffixes; Coin
	70176208	Front Panel Assembly	DC, GC, JC, PC and SC 0220 and 0270 models with CD and EC control suffixes; Coin; Stainless steel
	N/A	Front Panel Assembly	DC, GC, JC, PC and SC 0220 and 0270 models with MT and OM control suffixes; OPL
	70176210	Front Panel Assembly	DC, GC, JC, PC and SC 0220 and 0270 models with MT and OM control suffixes; OPL; Stainless steel
	70176301*P	Front Panel Assembly	DA, DT, JA, JT, LT, PA, PT, SA and ST 0350 models with CD and EC control suffixes; Coin
	70176302	Front Panel Assembly	DA, DT, JA, JT, LT, PA, PT, SA and ST 0350 models with CD and EC control suffixes; Coin; Stainless steel
	70176305*P	Front Panel Assembly	DA, DT, JA, JT, LT, PA, PT, SA and ST 0350 models with MT and OM control suffixes; OPL
	70176306	Front Panel Assembly	DA, DT, JA, JT, LT, PA, PT, SA and ST 0350 models with MT and OM control suffixes; OPL; Stainless steel
	70176303*	Front Panel Assembly	0350 models with EP control suffix; Card reader
	70176304	Front Panel Assembly	0350 models with EP control suffix; Card reader; Stainless steel
	70176307*P	Front Panel Assembly	DC, JC, LC, PC and SC 0350 models with CD and EC control suffixes; Coin
	70176308	Front Panel Assembly	DC, JC, LC, PC and SC 0350 models with CD and EC control suffixes; Coin; Stainless steel
	70176309*	Front Panel Assembly	DC, JC, LC, PC and SC 0350 models with MT and OM control suffixes; OPL
	70176310P	Front Panel Assembly	DC, JC, LC, PC and SC 0350 models with MT and OM control suffixes; OPL; Stainless steel
2	70173401P	Front Panel Seal	

* Add Letter To Designate Color. L - Almond Q - Bisque W - White

N/A = Part no longer available

Cabinet Front Components (Drawing 2 of 2)



TMB1859P_70184901

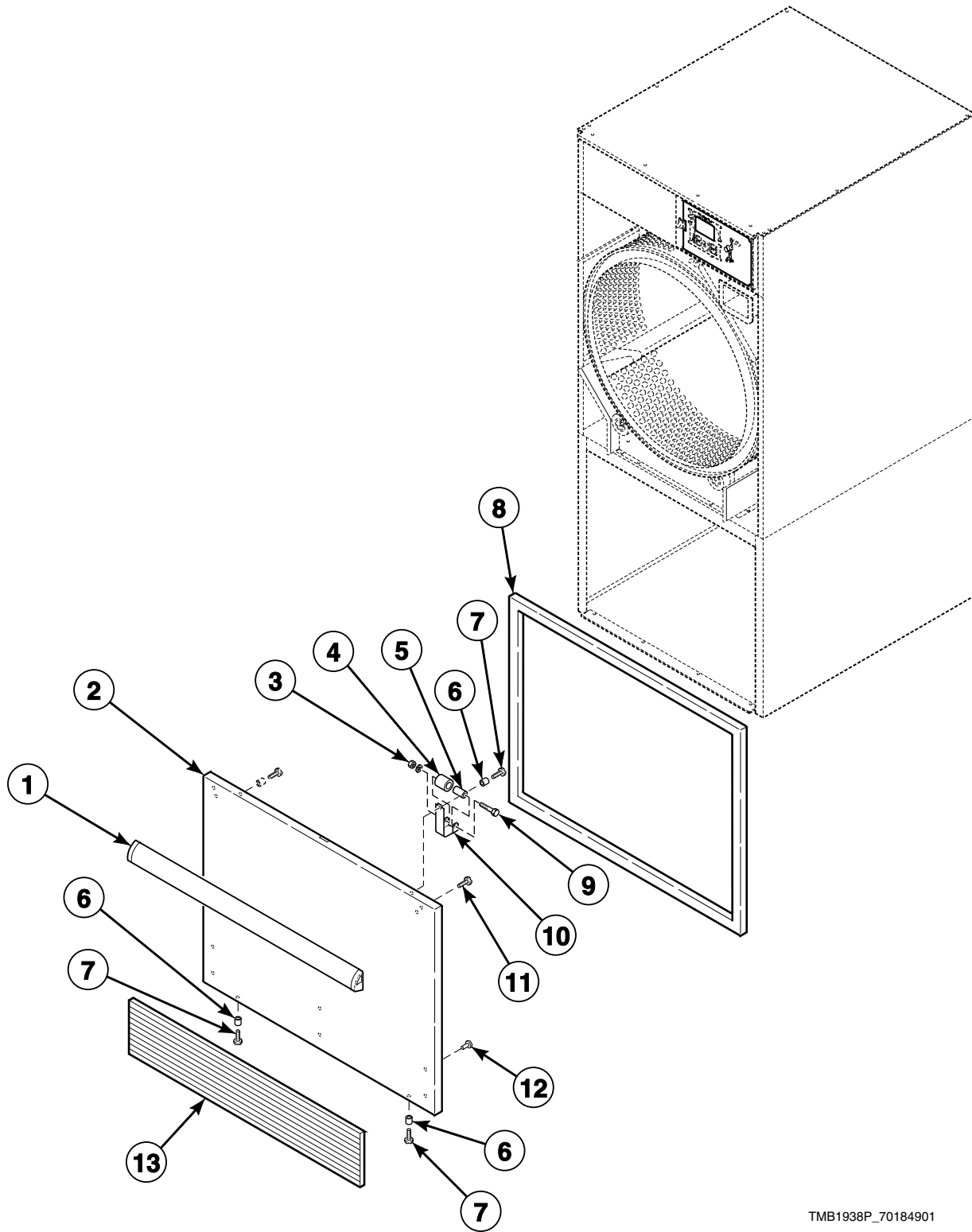
Cabinet Front Components (Drawing 2 of 2)

REF	PART NO.	DESCRIPTION	COMMENTS
	70482901	Door Catch Kit	Includes items 17, 18, M414215 Nut and M400661 Screw
	70030501	Expansion Clip	For front panel screws
	M400972	Shadow Box Clip	For trim pieces
	70235201	Coin Vault Switch Harness Assembly	
	70235301	Emergency Stop Switch Harness Assembly	DC, GC, JC, LC, PC and SC models with MT control suffix; 2 pole
	70083901	Emergency Stop Switch Harness Assembly	DC, GC, JC, LC, PC and SC models with MT and OM control suffixes
1	70121501*	Control Panel	DT and ST 0220 and 0270 models; Flat top
	70121502	Control Panel	DT and ST 0220 and 0270 models; Flat top; Stainless steel
	70121601*P	Control Panel Kit	JT 0220 and 0270 models; Flat top
	70121601P	Control Panel Kit	JT 0220 and 0270 models; Flat top; Stainless steel
	70121301*	Control Panel	DT and ST 0350 models; Flat top
	70121302	Control Panel	DT and ST 0350 models; Flat top; Stainless steel
	70121401*P	Control Panel Kit	JT 0350 models; Flat top
	70121402P	Control Panel Kit	JT 0350 models; Flat top; Stainless steel
	70121501B	Control Panel	LT 0220 and 0270 models; Black
	70121301B	Control Panel	LC and LT 0350 models; Black
2	70117201	Control Trim	JA, JC and JT models
	44016401	Control Trim	DA, DC, DT, SA, SC and ST models
3	430497	Screw	
4	39733	Screw	
5	56079	Panel Locator	
6	70072901	Nut	DA, DC, JA, JC, SA and SC models
7	70155301	Front Panel Insulation	0350 models
	70155401	Front Panel Insulation	0220 and 0270 models
8	70125101	Door Switch	DA, DC, GC, JA, JC, LC, PA, PC, SA and SC models
9	70119301	Door Switch Bracket	DA, DC, GC, JA, JC, LC, PA, PC, SA and SC models
10	M401938	Screw	DA, DC, JA, JC, SA and SC models
11	F430311	Washer	DA, DC, JA, JC, SA and SC models
12	70132301	Screw	DA, DC, JA, JC, SA and SC models
13	70413301	Pushbutton Switch	
14	70155602	Key	RL002; For use on control panel and lint screen
	70155601	Key	RL001; For use on control panel only
15	44089302P	Lock, Key and Nut Kit	RL002; For use on control panel and lint screen
	44089301P	Lock, Key and Nut Kit	RL001; For use on control panel only
16	70117502	Coin Vault Trim	SA, SC and ST models; Black
	70117501	Coin Vault Trim	JA, JC and JT models; Gray
	N/A	Coin Vault Trim	PA, PC and PT models; White
17	M400003	Pop Rivet	
18	M401223	Door Latch	
19	70115601	Nameplate Overlay	SA, SC and ST models
	70128301	Nameplate Overlay	DA, DC and DT models
20	70117401	Nameplate Bezel	DA, DC, DT, SA, SC and ST models

* Add Letter To Designate Color. L - Almond Q - Bisque W - White

N/A = Part no longer available

Lower Cabinet Front Components



TMB1938P_70184901

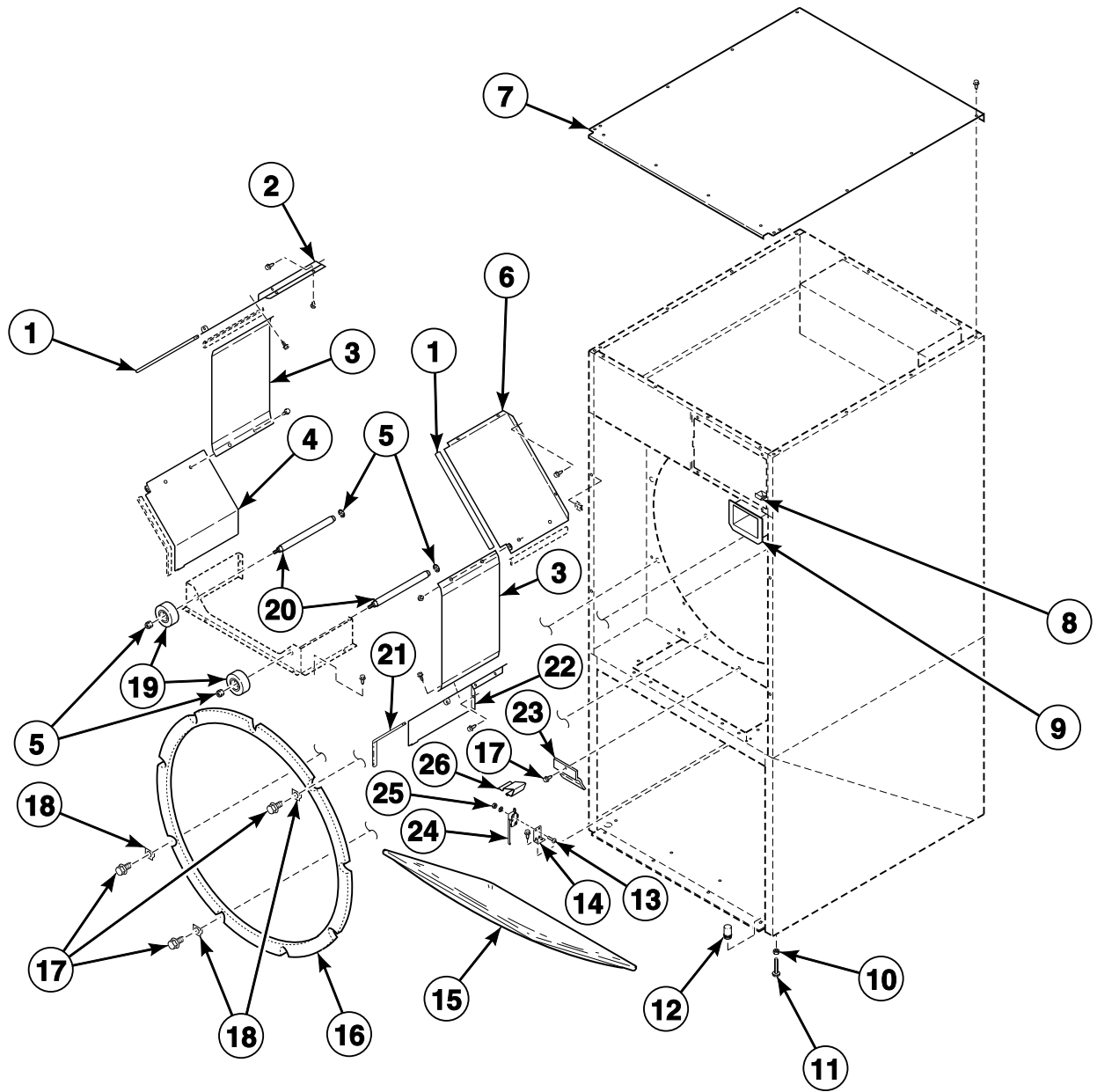
Lower Cabinet Front Components

REF	PART NO.	DESCRIPTION	COMMENTS
	M4379P4	Tumbler Dolly Kit	
1	70154401	Handle and Caps Assembly	DA, DC, DT, LT, SA, SC and ST 0220 and 0270 models; Black
	70154402	Handle and Caps Assembly	JA, JC and JT 0220 and 0270 models; Dark gray
	70154403	Handle and Caps Assembly	DA, DC, DT, LC, LT, SA, SC and ST 0350 models; Black
	70154404	Handle and Caps Assembly	JA, JC and JT 0350 models; Dark gray
2	70176601*P	Lint Panel Assembly	0220 and 0270 models with CD, EC and EP control suffixes; Coin; Includes items 2, 8 and 10
	70176602P	Lint Panel Assembly	0220 and 0270 models with CD, EC and EP control suffixes; Coin; Stainless steel
	70176605*	Lint Panel Assembly	JA, JC and JT 0220 and 0270 models; Coin; Includes items 2, 8 and 10
	70176705*	Lint Panel Assembly	JA, JC and JT 0350 models; Coin
	70176707*	Lint Panel Assembly	JA, JC and JT 0350 models; OPL
	70176708	Lint Panel Assembly	JA, JC and JT 0350 models; OPL; Stainless steel
	70176706	Lint Panel Assembly	JA, JC and JT 0220 and 0270 models; Coin; Stainless steel
	N/A	Lint Panel Assembly	0220 and 0270 models with MT and OM control suffixes; OPL
	70176604	Lint Panel Assembly	0220 and 0270 models with MT and OM control suffixes; OPL; Stainless steel
	N/A	Lint Panel Assembly	0350 models with CD, EC and EP control suffixes; Coin
	70176702P	Lint Panel Assembly	0350 models with CD, EC and EP control suffixes; Coin; Stainless steel
	N/A	Lint Panel Assembly	0350 models with MT and OM control suffixes; OPL
	70176704	Lint Panel Assembly	0350 models with MT and OM control suffixes; OPL; Stainless steel
3	23951	Nut	
4	70297601	Roller Catch Wheel	
5	70030201	Roller Catch Spacer	
6	56079	Panel Locator	
7	39733	Screw	
8	70289101P	Gasket	
9	70072801	Screw	
10	70030301	Roller Catch Arm	
11	430757	Screw	For attaching handle
12	70126301	Pop Rivet	For attaching kickplate; Black
	70126401	Pop Rivet	For attaching kickplate; Gray
13	70117601	Kickplate	DA, DC, DT, LT, SA, SC and ST 0220 and 0270 models; Black
	70117602	Kickplate	JA, JC and JT 0220 and 0270 models; Dark gray
	70117603	Kickplate	DA, DC, DT, LC, LT, SA, SC and ST 0350 models; Black
	70117604	Kickplate	JA, JC and JT 0350 models; Dark gray

* Add Letter To Designate Color. L - Almond Q - Bisque W - White

N/A = Part no longer available

Cabinet Components



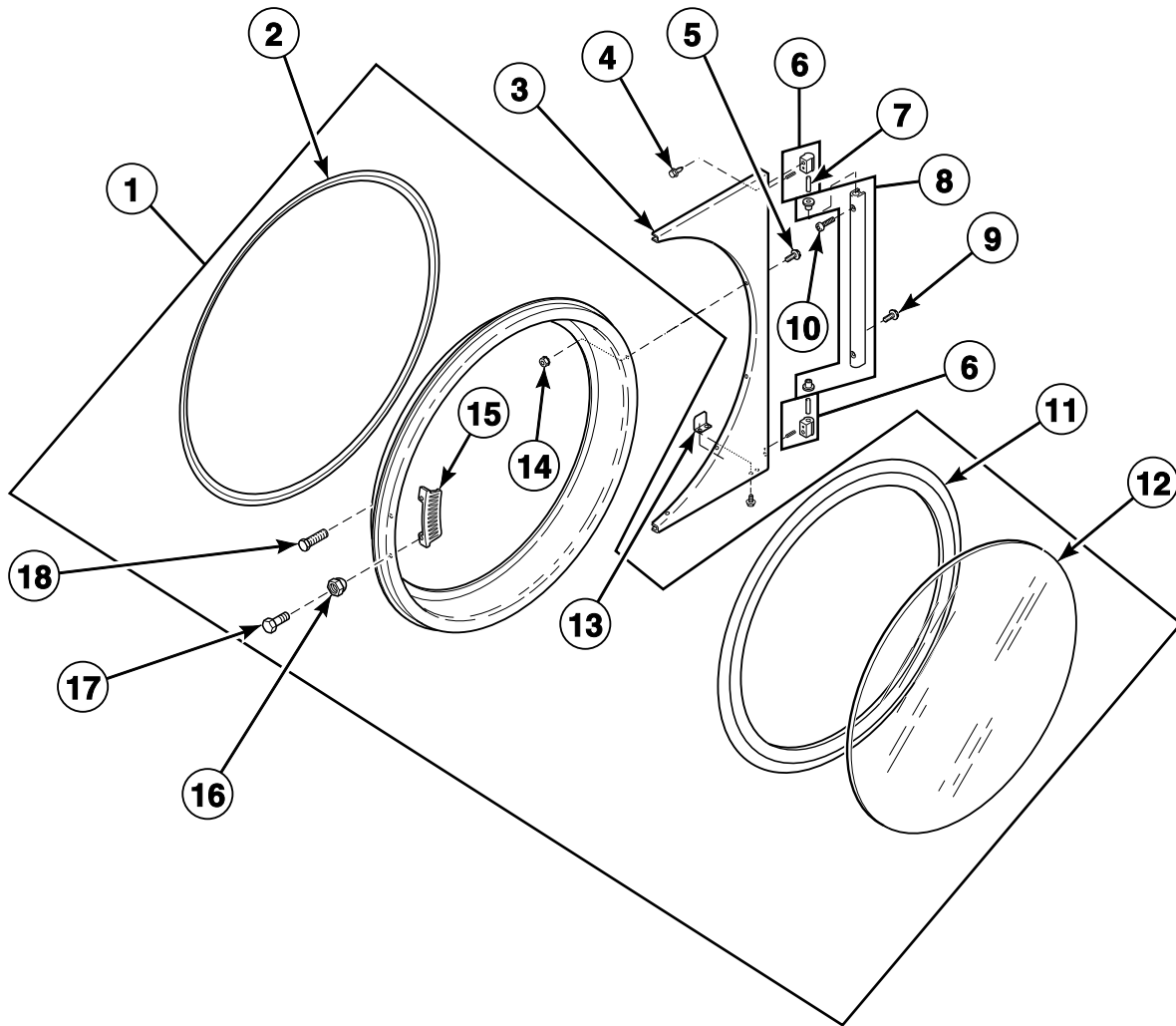
TMB1856P_70184901

Cabinet Components

REF	PART NO.	DESCRIPTION	COMMENTS
	70067001P	High Limit Harness	
	70084001	Jumper Bypass Assembly	DA, DT, GT, JA, JT, LT, PA, PT, SA and ST models; Card reader models with MT and OM control suffixes
1	70015701	Baffle Gasket	Upper; 11.38 inches; Center partition
2	70022101	Partition Baffle	Upper left
3	70036601	Thermal Shield	
4	70015201	Partition Baffle	0350 models; Lower left
5	430576	Nut	
6	70022001	Partition Baffle	Upper right
7	70000301	Flat Top	0270 models; Galvanized
	70018601	Flat Top	0350 models; Galvanized
	N/A	Flat Top	0220 models; Galvanized
8	70296401	Coin Chute Assembly	CD and EC control suffixes
9	70180101	Coin Vault Assembly	CD and EC control suffixes
10	21899	Nut	
11	34319	Leveling Leg	
12	70063201	Hole Plug	
13	M401938	Screw	
14	70019301	Lint Panel Switch Bracket	
15	70290401	Lint Screen	
16	70066004	Center Cylinder Seal	0220 and 0270 models
	70066003	Center Cylinder Seal	0350 models
17	430497	Screw	
18	70226701	Clip	
19	70616701	Roller and Seal Kit	
20	70017701	Roller Shaft	
21	70015703	Baffle Gasket	10.5 inches
	70015701	Baffle Gasket	11.38 inches
	70015702	Baffle Gasket	8.75 inches
22	N/A	Partition Baffle	0350 models; Lower right
23	70054501	Lint Screen Clip	0220 models
24	70016001	Lint Panel Switch	
25	70072901	Nut	
26	35865	Hold-Down Clip	0270 and 0350 models

N/A = Part no longer available

Door and Hinge Components



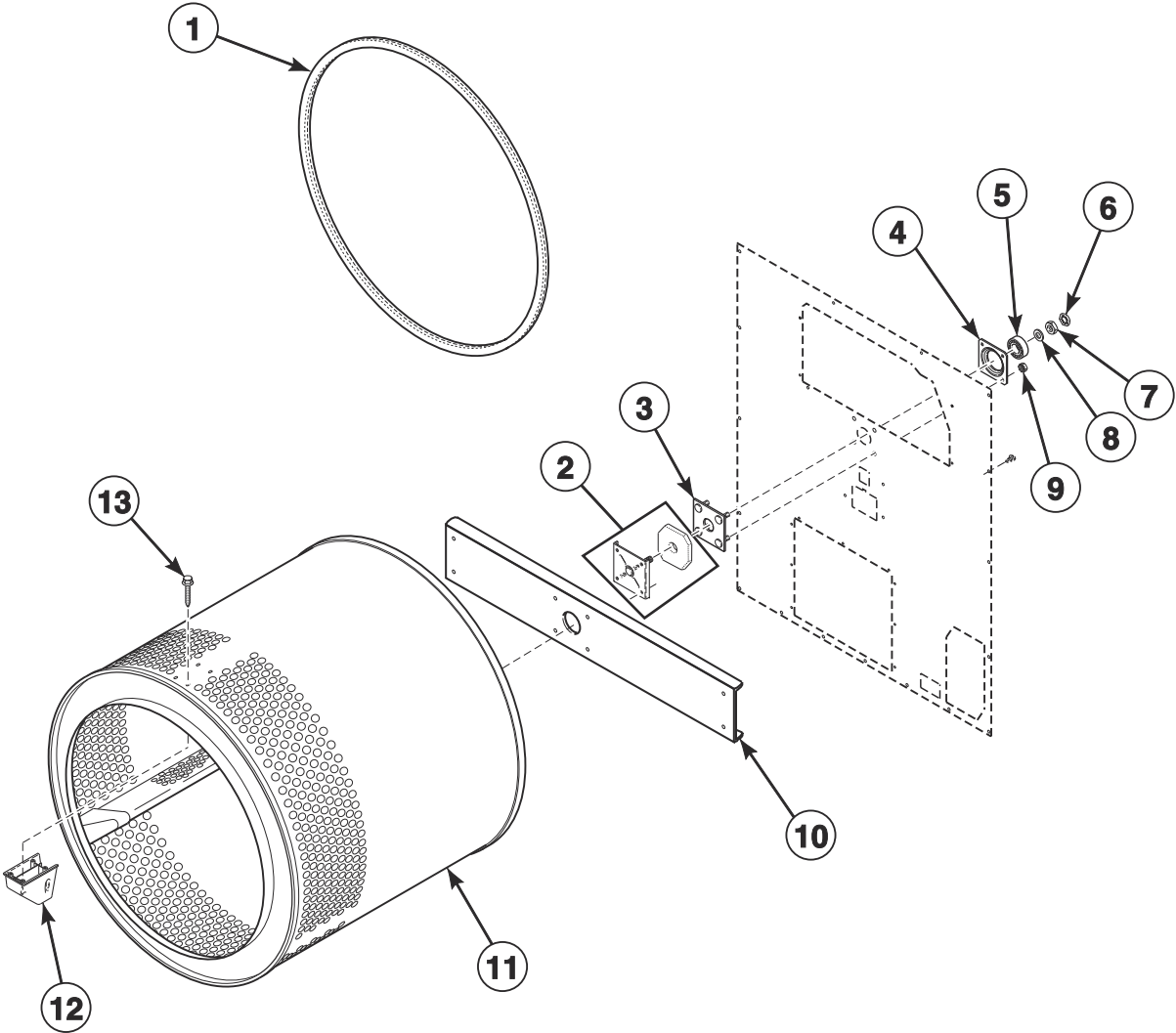
TMB1939P_70184901

Door and Hinge Components

REF	PART NO.	DESCRIPTION	COMMENTS
1	70212300	Door Assembly	LC, LT, SA, SC and ST models; Excludes hinge
	44058001P	Door Assembly	JA, JC and JT models; Excludes hinge
	70176503	Door Assembly	DA, DC and DT models; Excludes hinge
	70212200	Door Assembly	GC, GT, PA, PC and PT models; Excludes hinge
2	70296801	Door Ring Gasket	
3	70115901*	Door Hinge	0350 models
	70115902	Door Hinge	0350 models; Stainless steel
	70116003W	Door Hinge	0220 and 0270 models
	70116006	Door Hinge	0220 and 0270 models; Stainless steel
4	61199	Screw	
5	D501524	Screw	
6	M4772P3	Hinge Cam Kit	Upper or lower; Includes item 7
7	70071401	Pin	
8	44035001	Door Hinge Lug Assembly	
9	70033502	Screw	
10	430757	Screw	
11	70211901P	Door Glass Seal Kit	
12	70133601P	Door Glass	JA, JC and JT models
	M400784P	Door Glass	DA, DC, DT, LC, LT, SA, SC and ST models
13	70215001P	Door Switch Actuator Kit	
14	70054	Nut	
15	44007902P	Door Handle	DA, DC, DT, SA, SC and ST models
	70133501P	Replacement Door Handle Kit	JA, JC and JT models
	430117	Door Handle	L models
	M400133	Door Handle	PA, PC and PT models
16	M414215	Nut	For door strike; Mounts between door strike screw and door handle
17	430757	Screw	Use with 70024801 Door Handle
	M409385	Screw	Use with 70133501P Replacement Door Handle Kit
	430756	Screw	Use with 430117 Door Handle
	M409385	Screw	Use with M400133 Door Handle
18	M400661	Screw	

* Add Letter To Designate Color. L - Almond Q - Bisque W - White

Cylinder Components - Models Through Serial No. 9712xxxx



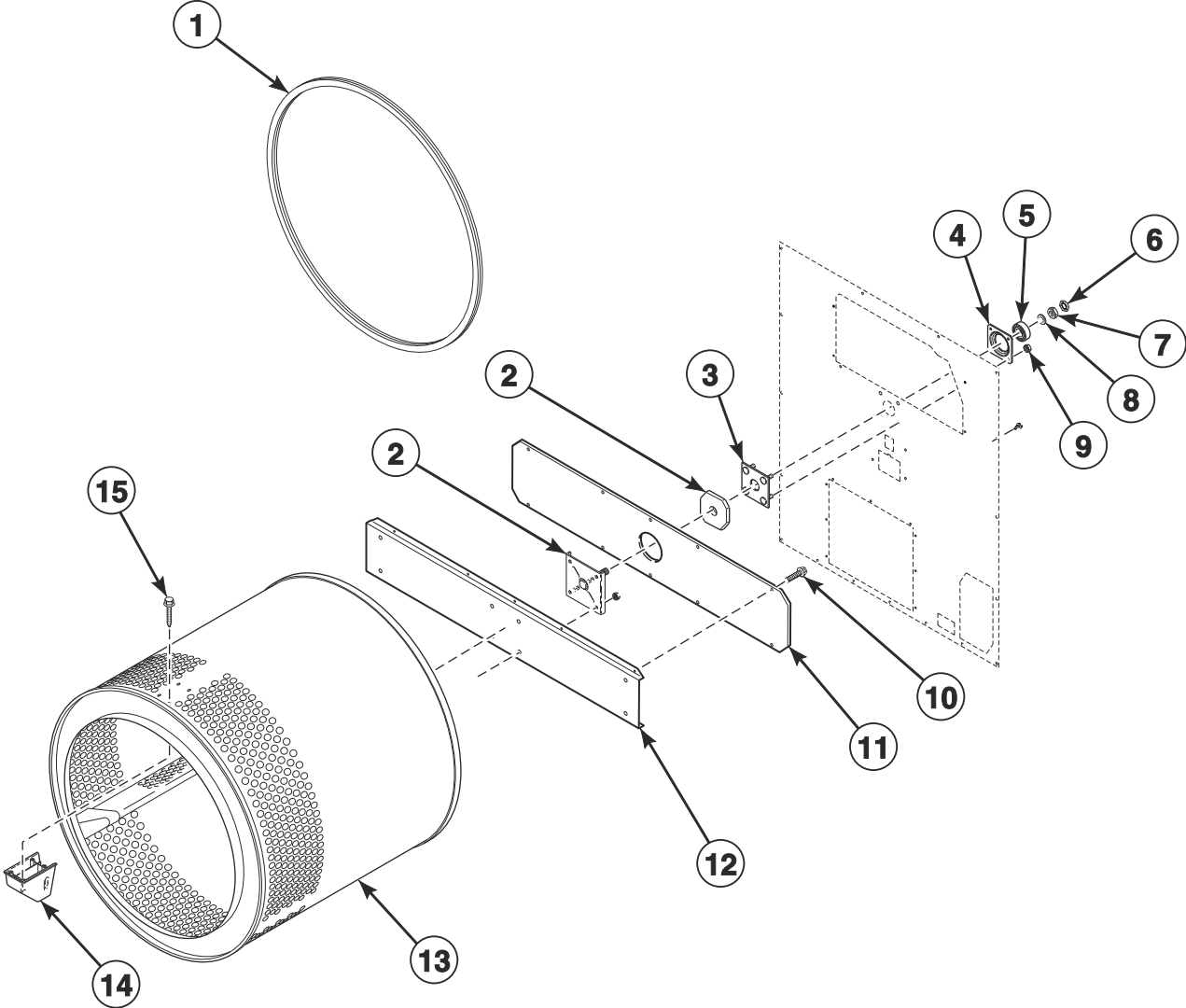
TMB2463P_70184901

Cylinder Components - Models Through Serial No. 9712xxxx

REF	PART NO.	DESCRIPTION	COMMENTS
	D511637P	Adhesive	For item 1
	70189201	Bolt	Cylinder to trunnion/cylinder channel
	M400013	Washer	Cylinder to trunnion/cylinder channel
	263P4	Cylinder Guide Tool	
	70142	Nut	Cylinder to trunnion/cylinder channel
	70506401	Rear Cylinder Seal Support	0220 and 0270 models
	70506402	Rear Cylinder Seal Support	0350 models
	70343101P	Drywall Screw Magnet Kit	
1	70013701P	Rear Cylinder Seal	0350 models; Rear
	70013702	Rear Cylinder Seal	0220 and 0270 models
2	70564803	Trunnion and Seal Kit	
3	430352	Cylinder Bearing Stud Plate Assembly	
4	70013901	Rear Cylinder Bearing Housing	
5	70448701	Support Bearing	
6	M400034	Nut	
7	M400022	Nut	
8	M400991	Washer	
9	44087201	Nut	
10	70190701	Cylinder Channel	0350 models
	N/A	Cylinder Channel	0220 and 0270 models
11	70221901P	Cylinder, Trunnion and Seal Kit	0220 models; Includes Cylinder Channel; Galvanized
	70221902P	Cylinder, Trunnion and Seal Kit	0220 models; Includes Cylinder Channel; Stainless steel
	70222001P	Cylinder, Trunnion and Seal Kit	0270 models; Includes Cylinder Channel; Galvanized
	70222002P	Cylinder, Trunnion and Seal Kit	0270 models; Includes Cylinder Channel; Stainless steel
	70222101P	Cylinder, Trunnion and Seal Kit	0350 models; Includes 70190701 Cylinder Channel; Galvanized
	70222102P	Cylinder, Trunnion and Seal Kit	0350 models; Includes 70190701 Cylinder Channel; Stainless steel
12	70070101	End Cap	Cylinder baffle
13	62588	Screw	

N/A = Part no longer available

Cylinder Components - Models Starting Serial No. 9712xxxx

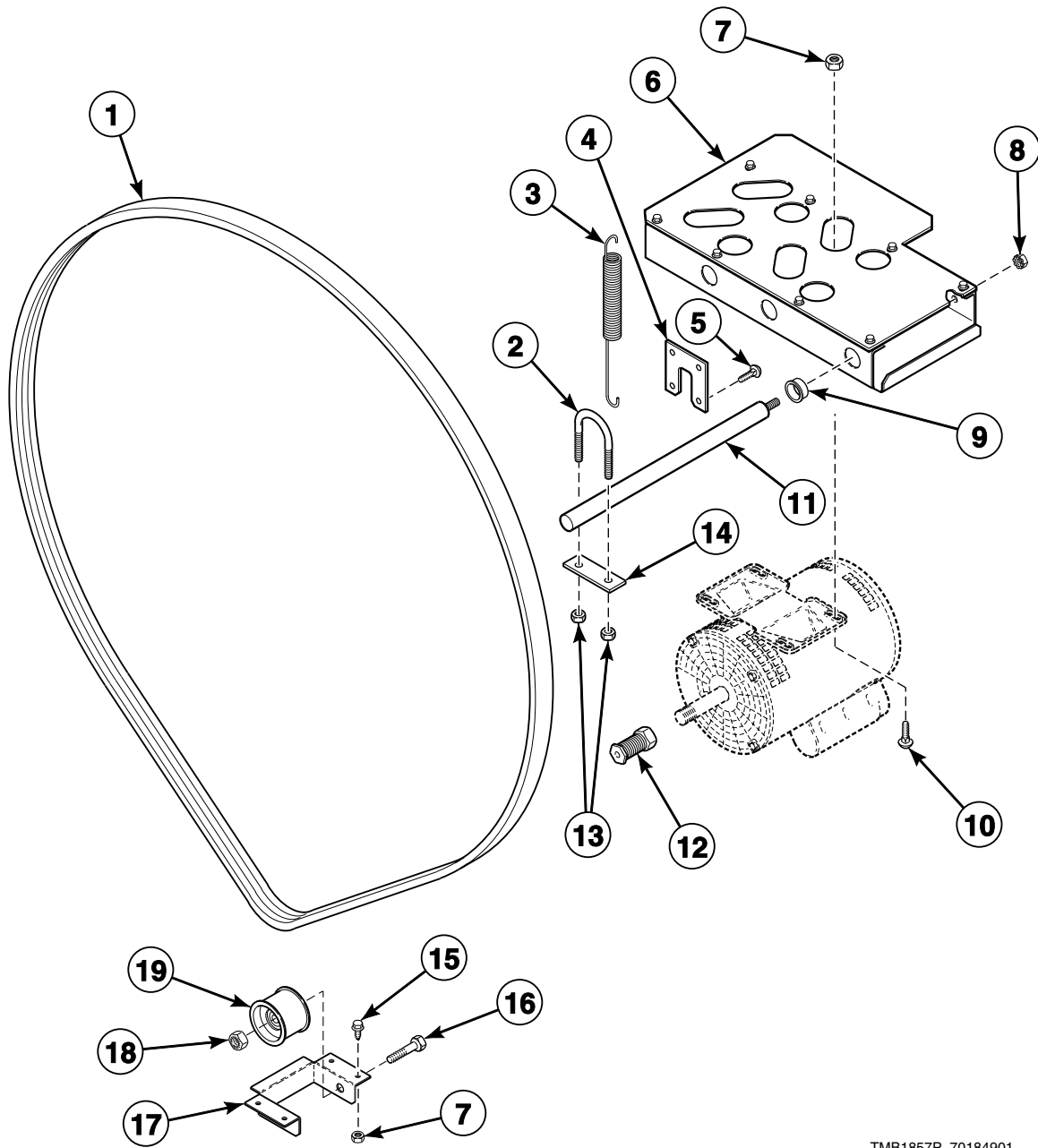


TMB2464P_70184901

Cylinder Components - Models Starting Serial No. 9712xxxx

REF	PART NO.	DESCRIPTION	COMMENTS
	D511637P	Adhesive	For item 1
	263P4	Cylinder Guide Tool	
	70506401	Rear Cylinder Seal Support	0220 and 0270 models
	70506402	Rear Cylinder Seal Support	0350 models
1	70013701P	Rear Cylinder Seal	0350 models
	70013702	Rear Cylinder Seal	0220 and 0270 models
2	70564803	Trunnion and Seal Kit	
3	430352	Cylinder Bearing Stud Plate Assembly	
4	70013901	Rear Cylinder Bearing Housing	
5	70448701	Support Bearing	
6	M400034	Nut	
7	M400022	Nut	
8	M400991	Washer	
9	44087201	Nut	
10	430497	Screw	10 required
11	70257401	Rear Cylinder Channel Plate	0220 and 0270 models
	70257201	Rear Cylinder Channel Plate	0350 models
12	70257301	Rear Cylinder Channel	0220 and 0270 models
	70257101	Rear Cylinder Channel	0350 models
13	70221901P	Cylinder, Trunnion and Seal Kit	0220 models; Includes 70190601 Cylinder Channel; Galvanized
	70221902P	Cylinder, Trunnion and Seal Kit	0220 models; Includes 70190601 Cylinder Channel; Stainless steel
	70222001P	Cylinder, Trunnion and Seal Kit	0270 models; Includes 70190601 Cylinder Channel; Galvanized
	70222002P	Cylinder, Trunnion and Seal Kit	0270 models; Includes 70190601 Cylinder Channel; Stainless steel
	70222101P	Cylinder, Trunnion and Seal Kit	0350 models; Includes 70190701 Cylinder Channel; Galvanized
	70222102P	Cylinder, Trunnion and Seal Kit	0350 models; Includes 70190701 Cylinder Channel; Stainless steel
14	70070101	End Cap	
15	62588	Screw	

Drive Motor Components



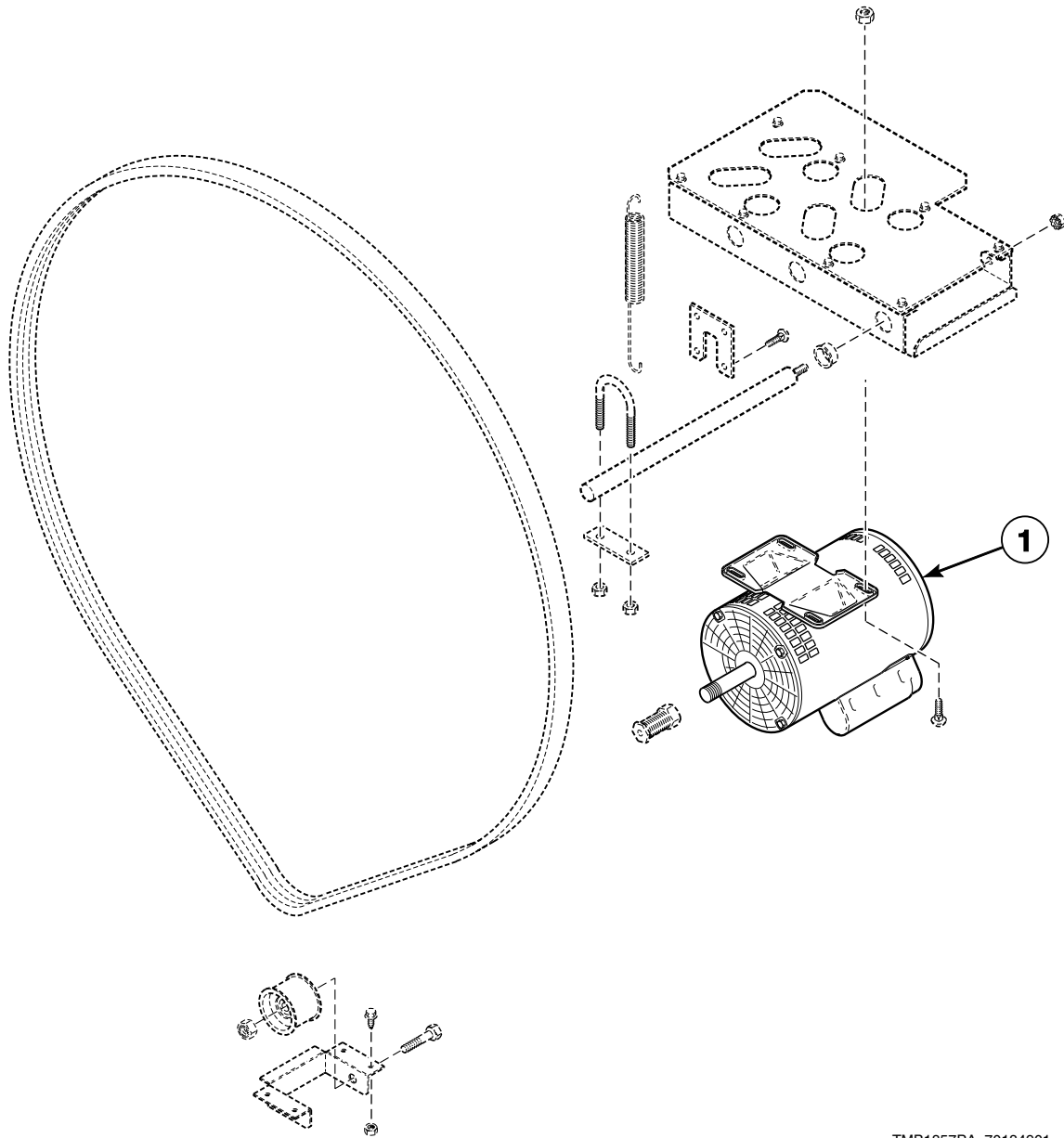
TMB1857P_70184901

Drive Motor Components

REF	PART NO.	DESCRIPTION	COMMENTS
	70083701	Cylinder Motor Harness Assembly	3 Phase
	70053601P	Drive Motor Harness	1 Phase; Nonreversing
	M4853P3	Belt Tension Tool Kit	
	M4716P3	Resilient Motor Kit	60 Hertz
1	70276202P	Belt	0350 models; 102.5 inches
	70276203P	Belt	0220 and 0270 models; 94 inches
2	70186101	U-Bolt	
3	70051401	Motor Bracket Spring	
4	70194501	Axial Plate	
5	39733	Screw	
6	70197101	Motor Bracket Assembly	Models through Serial No. 9807017295
	N/A	Motor Bracket Assembly	Models starting Serial No. 9807017296
7	44087201	Nut	
8	70142	Nut	
9	70027701	Bushing	
10	70062401	Bolt	
11	70012501	Single Motor Pivot Shaft	Models through Serial No. 9807017295
	70187801	Motor Pivot Shaft	Models starting Serial No. 9807017296
12	70284202	Motor Pulley	0220 and 0270 models; 60 Hertz
	70284201	Motor Pulley	0350 models; 60 Hertz
	70189104	Motor Pulley	0220 and 0270 models; 50 Hertz
	70284203	Motor Pulley	0350 models; 50 Hertz
13	29786	Nut	2 required
14	70186601	U-Bolt Plate	
15	70566401	Screw	
16	430648	Screw	
17	70200901	Idler Pivot Bracket	
18	56156	Nut	
19	70050401P	Idler Wheel Assembly	

N/A = Part no longer available

Drive Motors



TMB1857PA_70184901

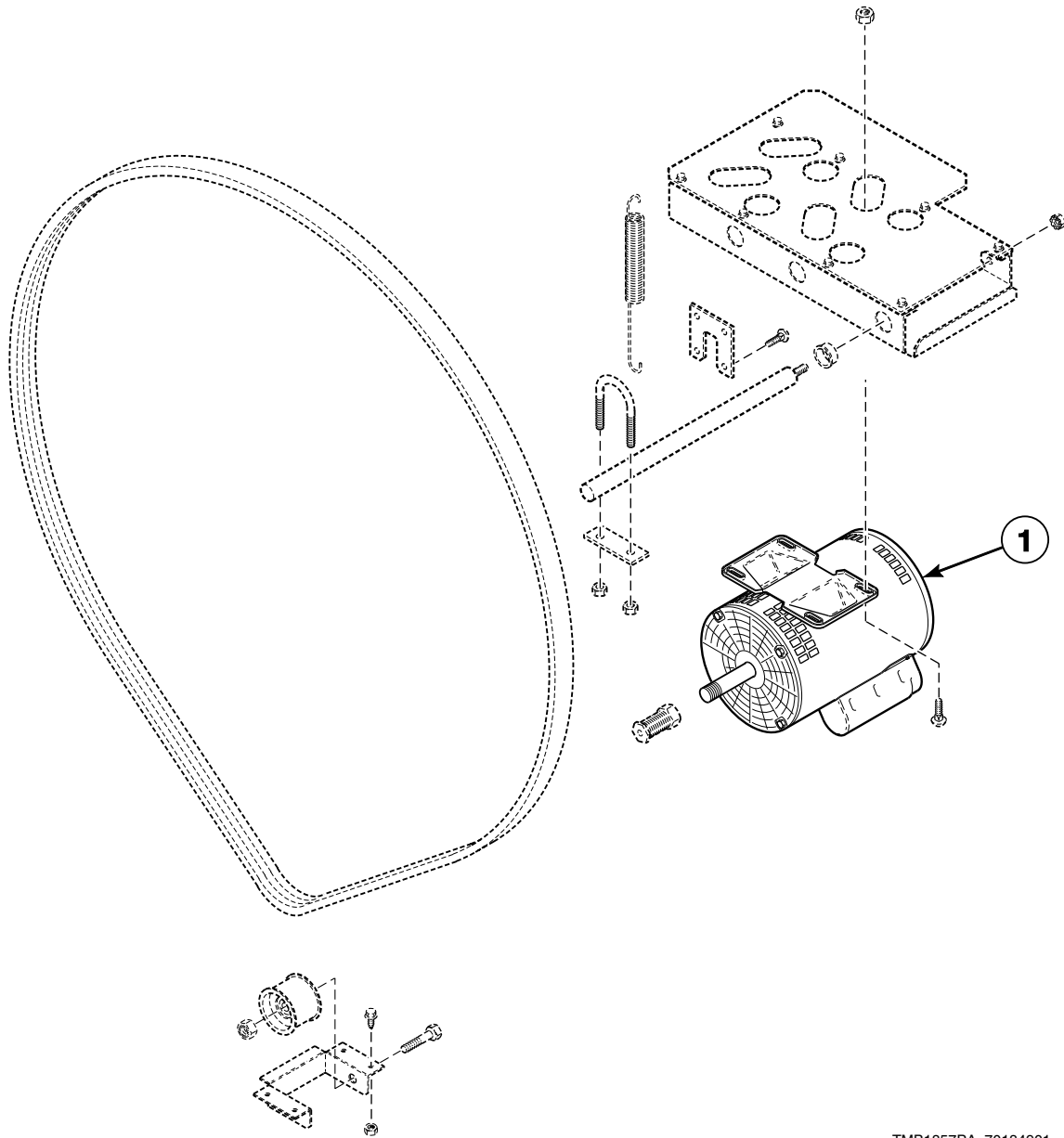
Drive Motors

REF	PART NO.	DESCRIPTION	COMMENTS
1	70337801P	Drive Motor	Gas and steam models* with: 100 Volt/50 or 60 Hertz/1 Phase, 120 Volt/60 Hertz/1 Phase; Electric models* with: 200-208, 240 Volt/60 Hertz/1 or 3 Phase, 200 Volt/50 Hertz/1 or 3 Phase
	70338001P	Drive Motor Kit	Gas, steam and electric models* with: 230 or 240 Volt/50 Hertz/1 Phase; Electric models* with: 230 or 240 Volt/50 Hertz/3 Phase
	70338101P	Drive Motor	Electric models* with: 230 or 240 Volt/50 Hertz/3 Phase; Gas and steam models* and ** with: 230 or 240 Volt/50 Hertz/3 Phase; Gas and steam models* with: 240 Volt/60 Hertz/3 Phase; Electric models* and ** with: 400-415 Volt/50 Hertz/3 Phase; Gas and steam models* and ** with: 200 Volt/50 Hertz/3 Phase; Gas, steam and electric models* and ** with: 380 Volt/50 Hertz/3 Phase, 460-480 Volt/60 Hertz/3 Phase
	M4716P3	Resilient Motor Kit	Gas and steam models** with: 100 Volt/50 or 60 Hertz/1 Phase; Electric models** with: 200-208, 240 Volt/60 Hertz/1 or 3 Phase, 200 Volt/50 Hertz/1 or 3 Phase

* NOTE: For RG gas models, motor to be used with 70182801 Motor Pivot Channel (2 pieces - 3 Phase rigid mount, 1 Phase resilient mount)

** NOTE: For FG gas models, motor to be used with 70013101 Motor Pivot Bracket (1 piece rigid mount)

Drive Motor and Pulley Assemblies for 0350 Models



TMB1857PA_70184901

Drive Motor and Pulley Assemblies for 0350 Models

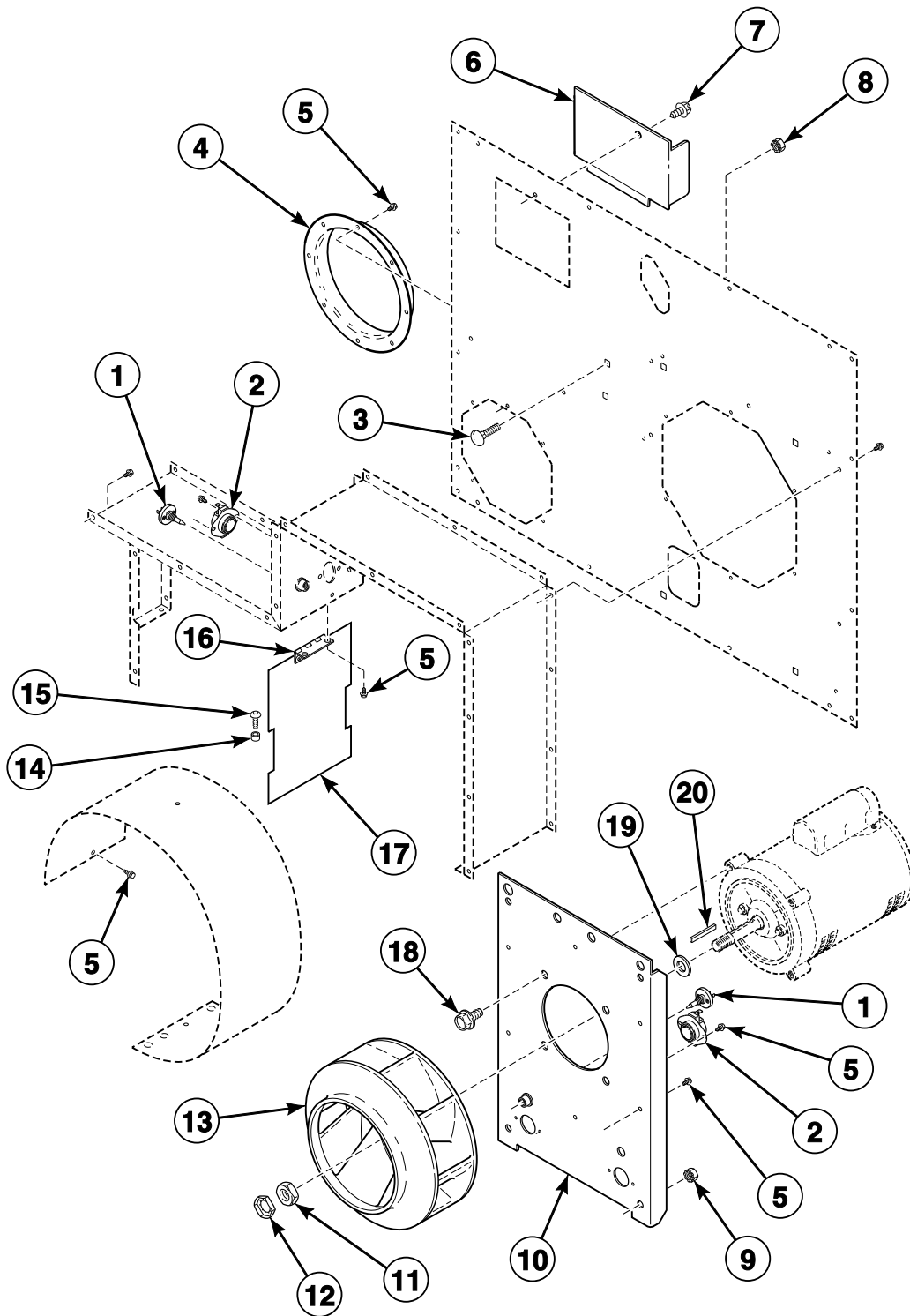
REF	PART NO.	DESCRIPTION	COMMENTS
1	N/A	Drive Motor and Pulley Assembly	Gas and steam models* with: 110 Volt/50 Hertz/1 Phase; Electric models* with: 200 Volt/50 Hertz/1 or 3 Phase
	N/A	Drive Motor and Pulley Assembly	Gas and steam models* with: 230-240 Volt/50 Hertz/3 Phase
	N/A	Drive Motor and Pulley Assembly	Electric models* with: 230 or 240 Volt/50 Hertz/3 Phase; Gas, steam and electric models* with: 230 Volt/50 Hertz/1 or 3 Phase, 240 Volt/50 Hertz/1 Phase
	70281202	Drive Motor and Pulley Assembly	Gas and steam models* and** with: 240 Volt/60 Hertz/3 Phase; Gas, steam and electric models* and** with: 460 or 480 Volt/60 Hertz/3 Phase
	N/A	Drive Motor and Pulley Assembly	Gas and steam models** with: 100 Volt/50 Hertz/1 Phase; Electric models** with: 200 Volt/50 Hertz/1 or 3 Phase
	70062803P	Drive Motor Assembly	Gas and steam models** with: 200 Volt/50 Hertz/3 Phase; Electric models** with: 400-415 Volt/50 Hertz/3 Phase; Gas, steam and electric models** with: 380 Volt/50 Hertz/3 Phase
	N/A	Drive Motor and Pulley Assembly	Gas and steam models** with: 230 or 240 Volt/50 Hertz/3 Phase, 230 Volt/50 Hertz/3 Phase
	N/A	Drive Motor and Pulley Assembly	Electric models** with: 230 or 240 Volt/50 Hertz/3 Phase; Gas, steam and electric models** with: 230 Volt/50 Hertz/1 or 3 Phase, 230 or 240 Volt/50 Hertz/1 Phase

N/A = Part no longer available

* NOTE: For RG gas models, motor to be used with 70182801 Motor Pivot Channel (2 pieces - 3 Phase rigid mount, 1 Phase resilient mount)

** NOTE: For FG gas models, motor to be used with 70013101 Motor Pivot Bracket (1 piece rigid mount)

Blower Components

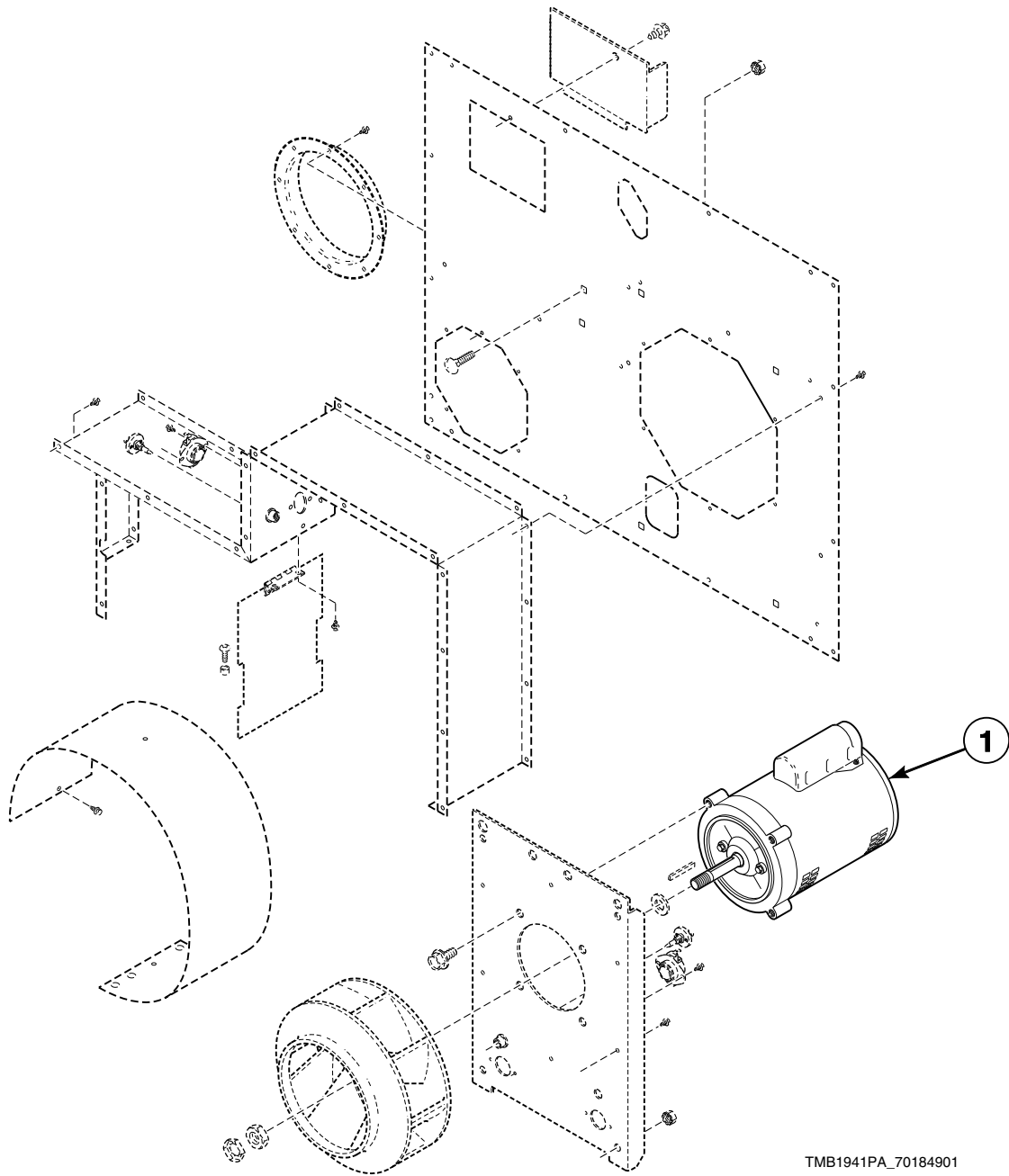


TMB1941P_70184901

Blower Components

REF	PART NO.	DESCRIPTION	COMMENTS
	70083401	Fan Motor Harness Assembly	1 Phase
	70083501	Fan Motor Harness Assembly	3 Phase
1	M414704	Thermistor	New location for models starting Serial No. 9807017296
2	M411307	Limit Thermostat	DC, DT, GC, GT, JC, JT, LC, LT, PC, PT, SC and ST models; New location for models starting Serial No. 9807017296
	M411945	Manual Reset Thermostat	DA, JA, PA and SA models; New location for models starting Serial No. 9807017296
3	70062401	Bolt	
4	70017801	Exhaust Thimble	0220 and 0270 models; 6 inches
	70015601	Exhaust Thimble	0350 models; 8 inches
5	430497	Screw	
6	70196301	Drive Access Cover	
7	M411072	Screw	
8	44087201	Nut	
9	56156	Nut	
10	70012001	Blower Motor Mounting Plate	
11	M400022	Nut	
12	M400034	Nut	
13	70359801P	Blower Assembly	
14	56079	Panel Locator	
15	39733	Screw	
16	D503676	Hinge	
17	70209501	Damper and Hinge Exhaust Assembly	
18	70126101	Screw	
19	M400991	Washer	
20	70144101	Key	

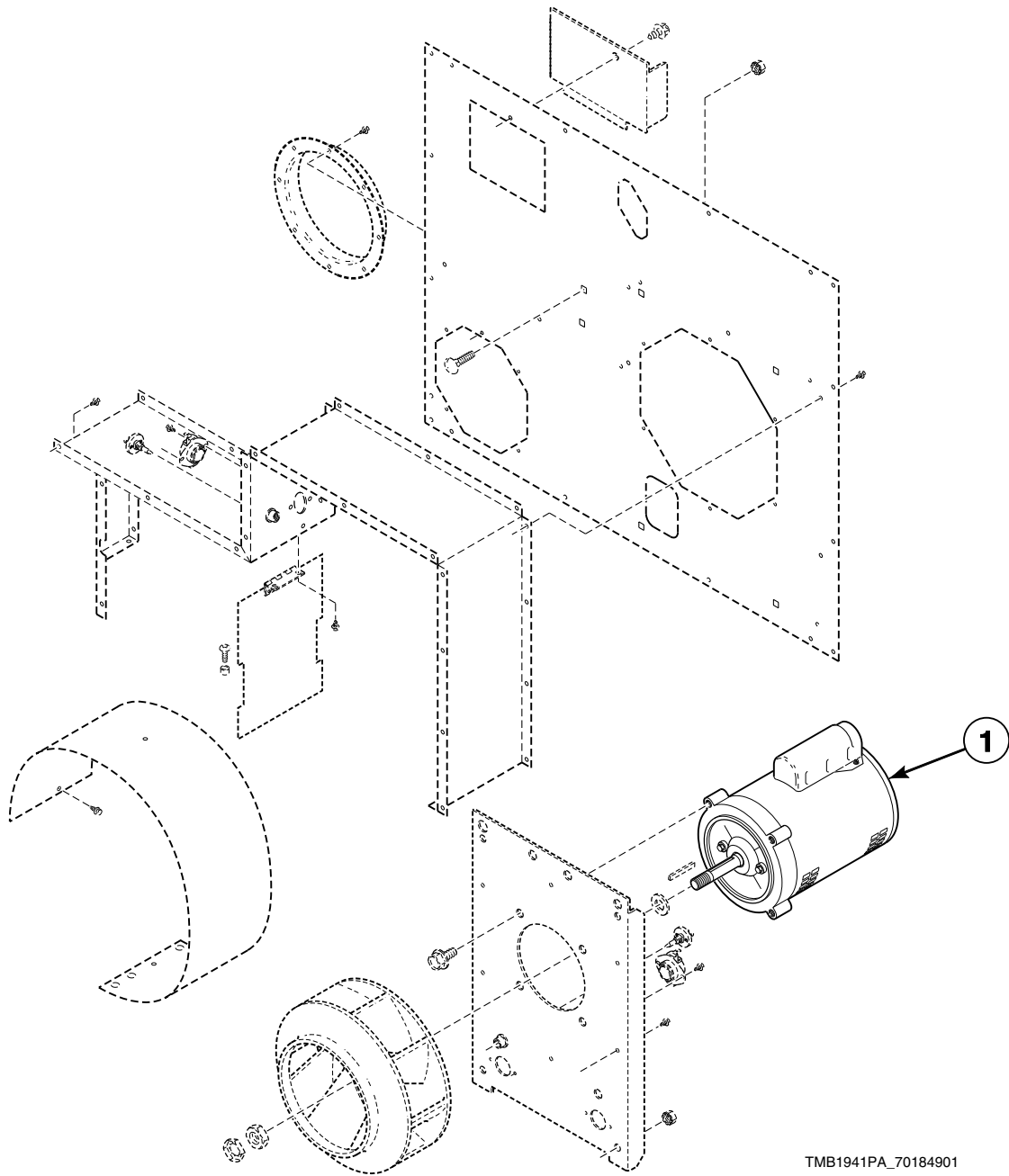
Fan Motors for 0220 and 0270 Models



Fan Motors for 0220 and 0270 Models

REF	PART NO.	DESCRIPTION	COMMENTS
1	70337501P	Blower Motor	Gas and steam models with: 100 Volt/50 or 60 Hertz/1 Phase, 120 Volt/60 Hertz/1 Phase; Electric models with: 200, 208 or 240 Volt/60 Hertz/1 or 3 Phase, 200 Volt/50 Hertz/3 Phase
	70342601P	Blower Motor	Gas and steam models with: 200 Volt/50 Hertz/3 Phase, 240 Volt/50 or 60 Hertz/3 Phase, 230 Volt/50 Hertz/3 Phase; Electric models with: 400-415 Volt/50 Hertz/3 Phase; Gas, steam and electric models with: 380 Volt/50 Hertz/3 Phase, 460 or 480 Volt/60 Hertz/3 Phase
	70337701P	Blower Motor Kit	Gas, steam and electric models with: 230 or 240 Volt/50 Hertz/1 Phase; Electric models with: 230 or 240 Volt/50 Hertz/3 Phase

Fan Motors for 0350 Models

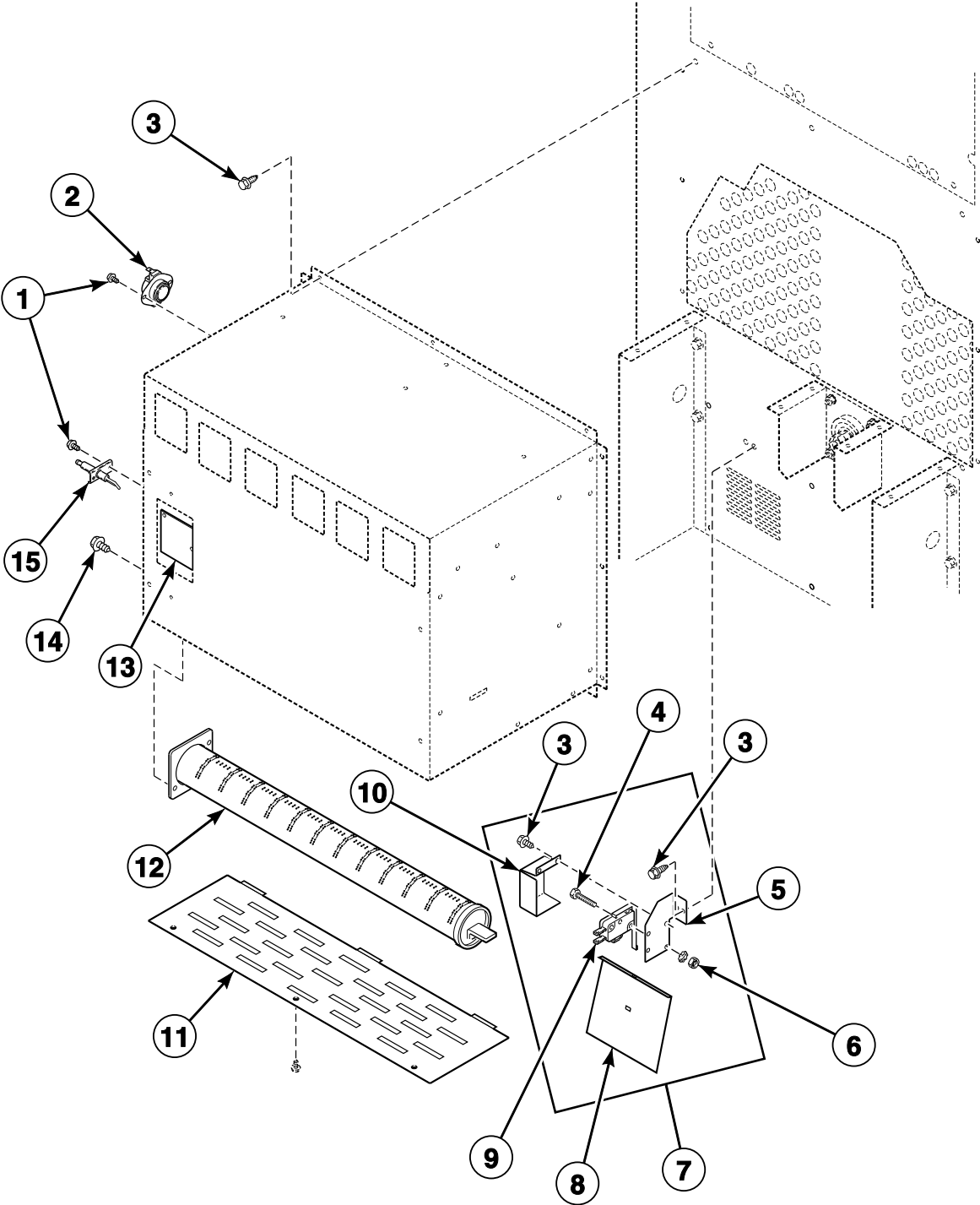


TMB1941PA_70184901

Fan Motors for 0350 Models

REF	PART NO.	DESCRIPTION	COMMENTS
1	70337501P	Blower Motor	Gas and steam models with: 100 Volt/50 or 60 Hertz/1 Phase, 120 Volt/60 Hertz/1 Phase; Electric models with: 200 Volt/50 or 60 Hertz/1 or 3 Phase, 208 Volt/60 Hertz/1 or 3 Phase, 240 Volt/60 Hertz/1 or 3 Phase
	70342601P	Blower Motor	Gas and steam models with: 200 Volt/50 Hertz/3 Phase, 240 Volt/50 or 60 Hertz/3 Phase, 230 Volt/50 Hertz/3 Phase; Electric models with: 400-415 Volt/50 Hertz/3 Phase; Gas, steam and electric models with: 380 Volt/50 Hertz/3 Phase, 460-480 Volt/60 Hertz/3 Phase
	70337701P	Blower Motor Kit	Gas, steam and electric models with: 230 Volt/50 Hertz/1 or 3 Phase, 240 Volt/50 Hertz/1 Phase; Electric models with: 230 or 240 Volt/50 Hertz/3 Phase

Airflow Switch and Gas Burner Components

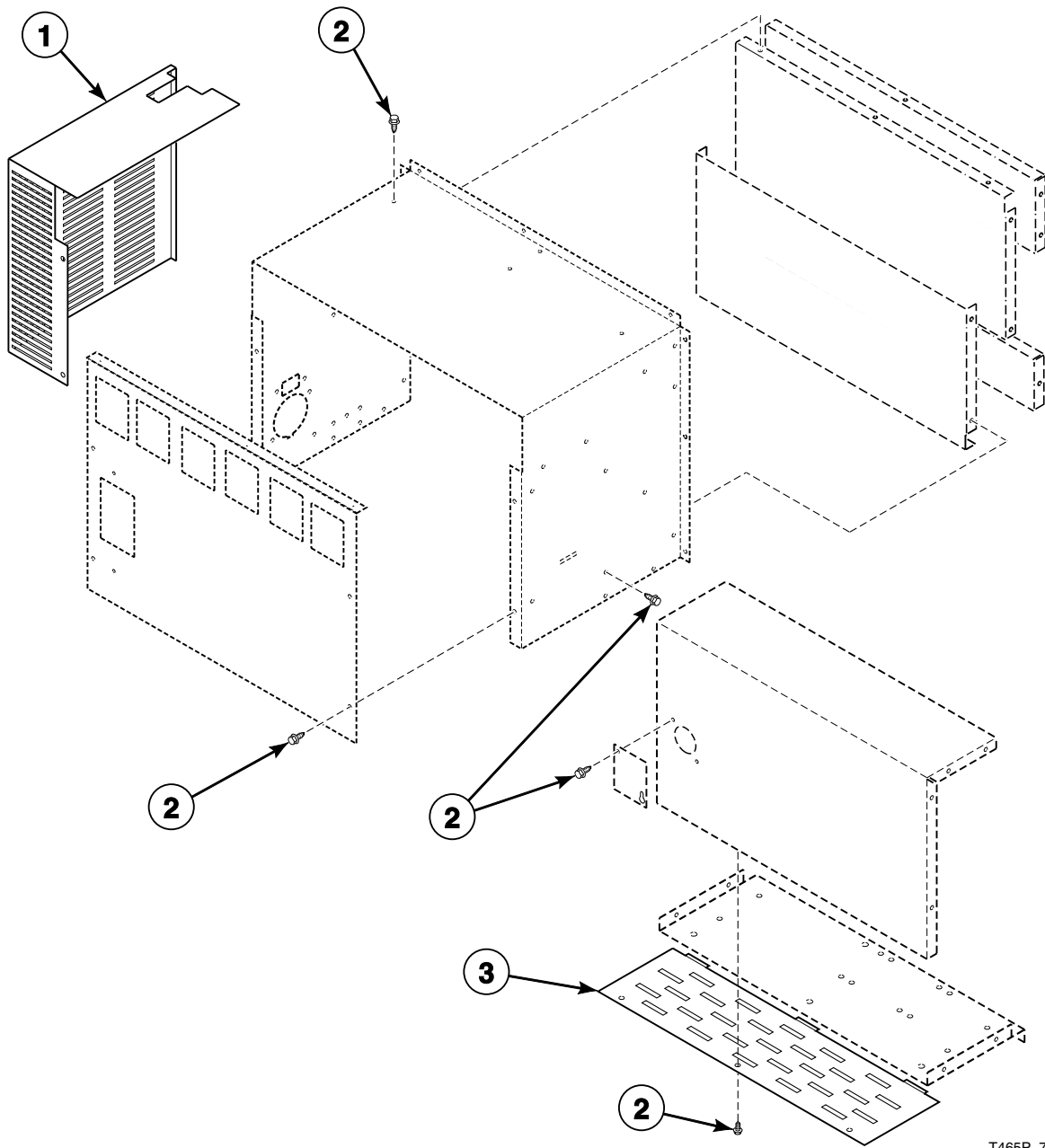


T500PZ3B_70184901

Airflow Switch and Gas Burner Components

REF	PART NO.	DESCRIPTION	COMMENTS
1	430497	Screw	
2	M409443	Limit Thermostat	50 or 60 Hertz
	M409219	Limit Thermostat	DC, DT, GC, GT, JC, JT, LC, LT, PC, PT, SC and ST gas models starting Serial No. 9807017296
	70186301	Manual Reset Thermostat	DA, JA, PA and SA models starting Serial No. 9807017296
	M411938	Manual Reset Thermostat	DA, JA, PA and SA models
3	51780	Screw	
4	M401938	Screw	
5	70266301	Airflow Switch Bracket	
6	M400979	Nut	
7	70270901P	Airflow Switch Kit	Includes items 3-6 and 8-10
8	70266201	Airflow Switch Vane	
9	70267301	Airflow Switch	
10	70281801	Airflow Switch Cover	
11	70188801	Burner Grill	
12	70229801P	Gas Burner	
13	70159601	Igniter Cover	
14	05161	Screw	
15	70032801P	Spark Electrode	

Gas Burner Housing

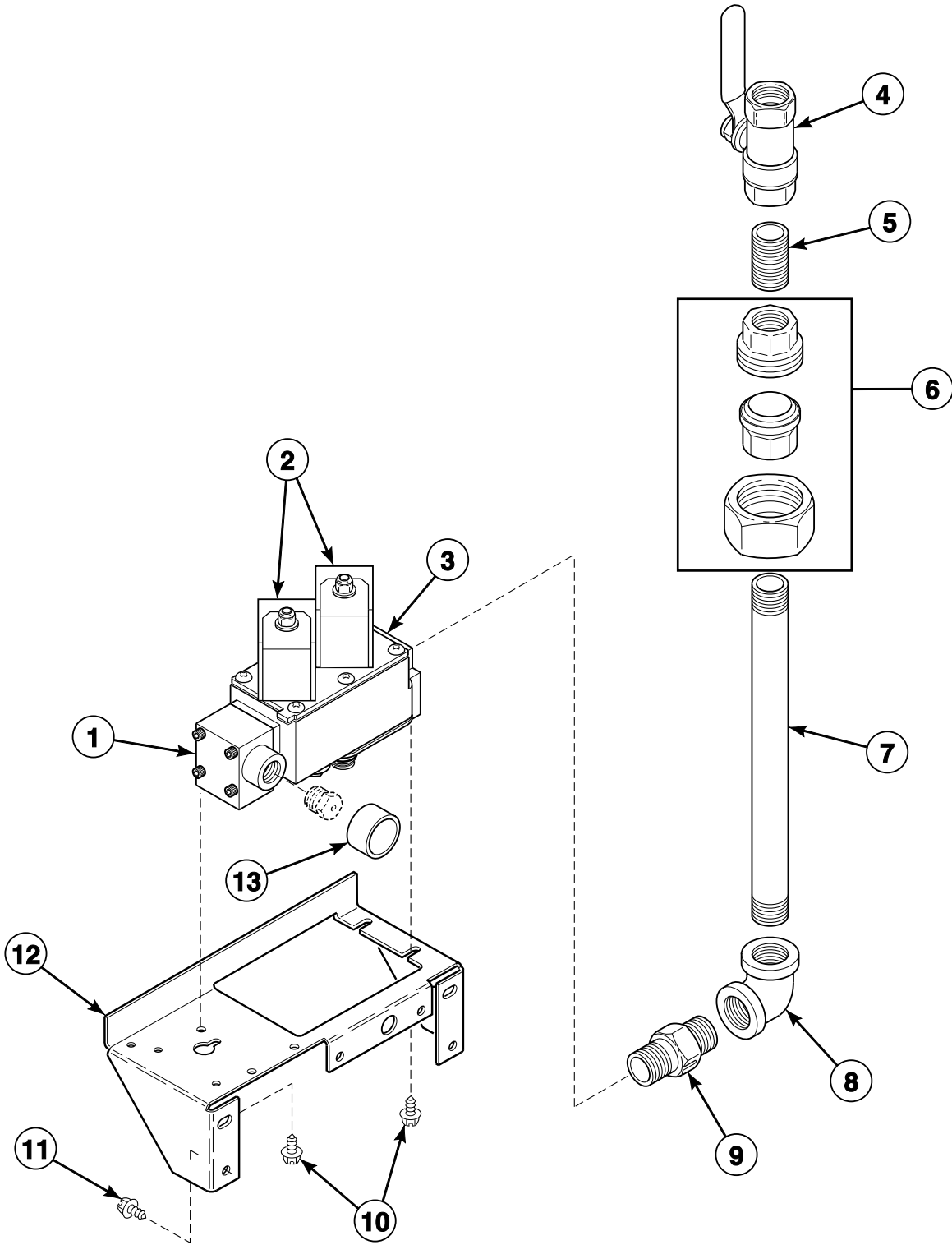


T465P_70184901

Gas Burner Housing

REF	PART NO.	DESCRIPTION	COMMENTS
1	M4747P3	Valve Bracket and Cover Kit	
2	430497	Screw	
3	70188801	Burner Grill	

Gas Valve and Piping



TMB1942P_70184901

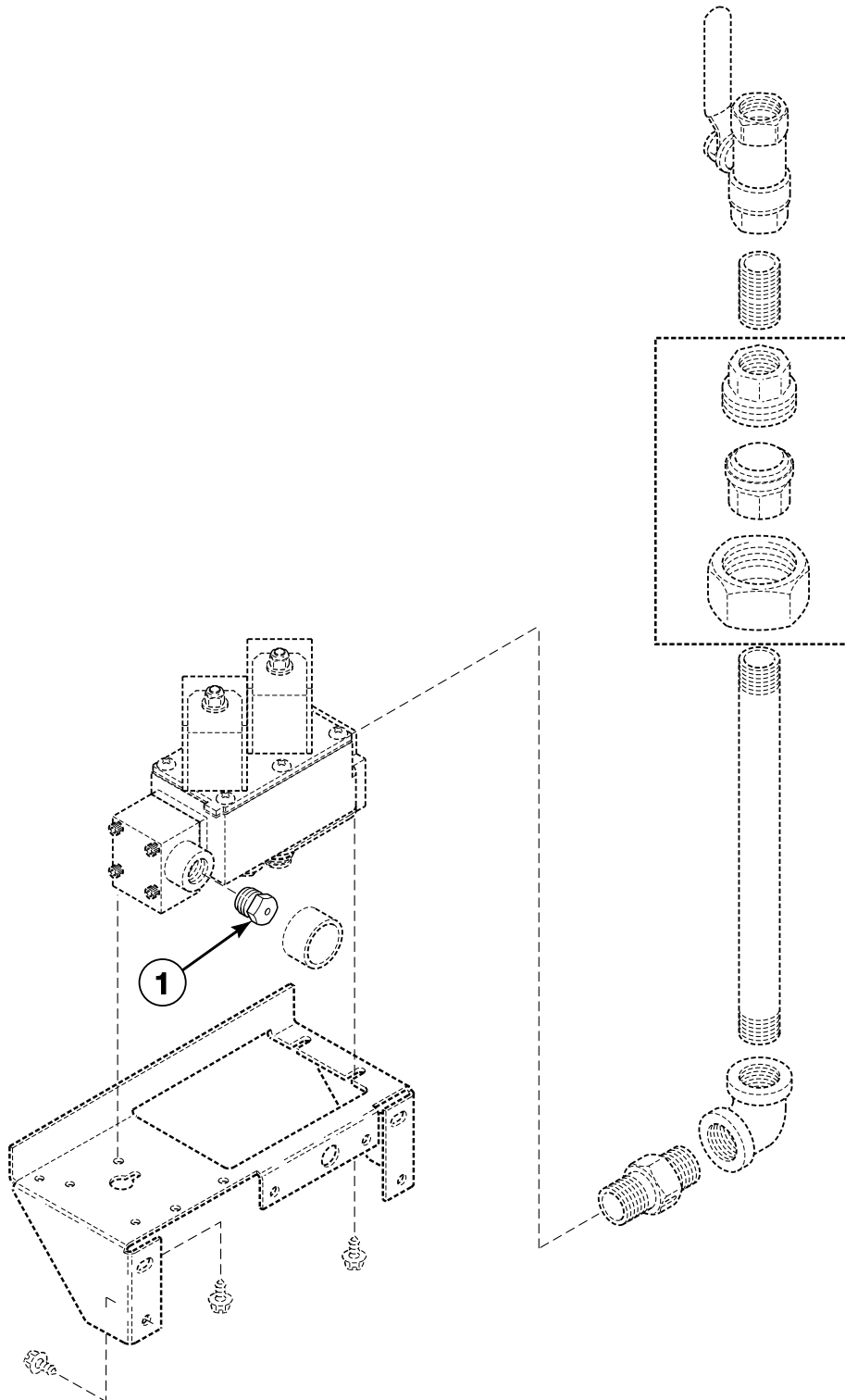
Gas Valve and Piping

REF	PART NO.	DESCRIPTION	COMMENTS
	M413650	Gas Valve Harness Assembly	
	M413997	N.G. Heater Assembly	
	M4699P3	L.P. Conversion Kit	0220SFG models: 0-2,000 feet at 67,000 Btu input; 0220SRG models: 0-2,000 feet at 64,000 Btu input
	M4703P3	L.P. Conversion Kit	0270SFG models: 0-2,000 feet at 88,000 Btu input; 0270SRG models: 0-2,000 feet at 73,000 Btu input
	M4706P3	L.P. Conversion Kit	0270SFG models: 8,001-10,000 feet at 88,000 Btu input; 0270SRG models: 8,001-10,000 feet at 73,000 Btu input
	M4711P3	L.P. Conversion Kit	0350SFG models: 0-2,000 feet at 107,000 Btu input; 0350SRG models: 0-2,000 feet at 90,000 Btu input
	M4729P3	Down Rated Burner Kit	0220SFG models: 0-10,000 feet at 67,000 Btu input; 0270SFG models: 0-10,000 feet at 88,000 Btu input; 0350SFG models: 0-10,000 feet at 107,000 Btu input
	M4733P3	N.G. Valve Conversion Kit	Models through Serial No. 9807017295
	M4734P3	L.P. Valve Conversion Kit	Models through Serial No. 9807017295
	431482	O-Ring	
	70482301	Gas Valve Kit	To replace item 2
1	70223501	Spud Adapter	
2	70260101	Gas Valve Coil	24 Volt
3	70457301P	N.G. Valve	Models starting Serial No. 9807017296
	70457302P	L.P. Valve	Models starting Serial No. 9807017296
4	M412562P	Gas Shut-Off Valve	Manual
5	431486	Pipe Nipple	1/2 NPT
6	H86000031	Union	
7	N/A	Pipe Nipple	
8	70079601	Elbow	
9	70131901	Adapter	BPT/NPT
10	23222	Screw	
11	430497	Screw	
12	70233301	Gas Valve Bracket	
13	70239801	Primary Air Adjustment Sleeve	

N/A = Part no longer available

Burner Orifice for Liquid Petroleum Gas

Non-CE Models



TMB1942PA_70184901

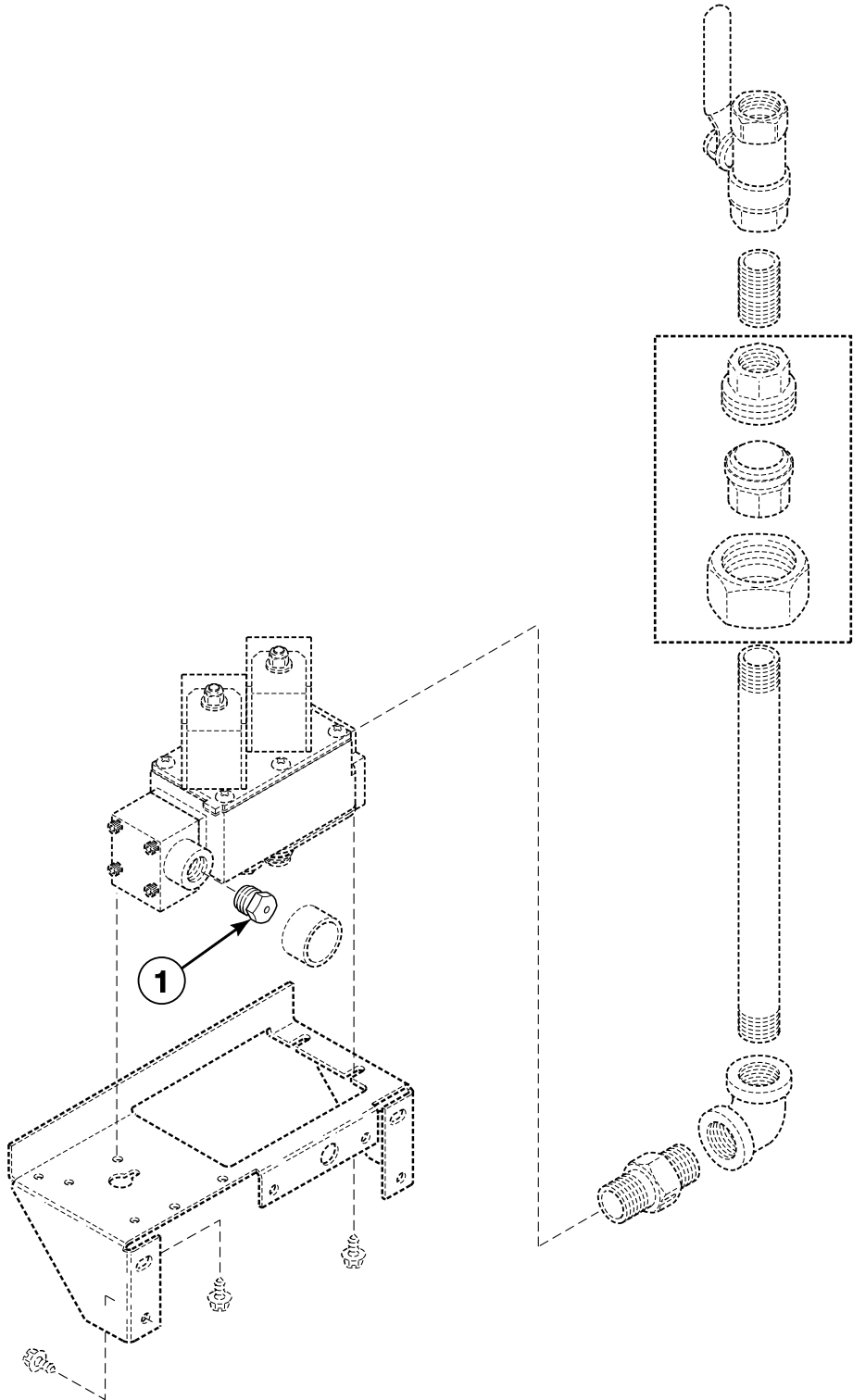
Burner Orifice for Liquid Petroleum Gas

REF	PART NO.	DESCRIPTION	COMMENTS
1	70684115	Burner Orifice	Drill no. 41 (2.4 mm); 0220SFG models: 0-2,000 feet; 0350SRG models: 6,001-8,000 feet
	70684114	Burner Orifice	Drill no. 42 (2.4 mm); 0220SFG models: 2,001-6,000 feet; 0220SRG models: 0-2,000 feet; 0270SRG models: 2,001-6,000 feet; 0350SRG models: 8,001-10,000 feet
	70684112	Burner Orifice	Drill no. 43 (2.3 mm); 0220SFG models: 6,001-8,000 feet; 0220SRG models: 2,001-6,000 feet; 0270SRG models: 6,001-8,000 feet
	70684110	Burner Orifice	Drill no. 44 (2.2 mm); 0220SFG models: 8,001-10,000 feet; 0220SRG models: 6,001-8,000 feet; 0270SRG models: 8,001-10,000 feet
	70684108	Burner Orifice	Drill no. 46 (2.1 mm); 0220SRG models: 8,001-10,000 feet
	70684121	Burner Orifice	Drill size 7/64 (2.8 mm); 0270SFG models: 0-2,000 feet
	70684120	Burner Orifice	Drill no. 36 (2.7 mm); 0270SFG models: 2,001-4,000 feet; 0350SFG models: 8,001-10,000 feet; 0350SRG models: 0-2,000 feet
	N/A	Burner Orifice	Drill no. 37 (2.6 mm); 0270SFG models: 4,001-6,000 feet
	70684118	Burner Orifice	Drill no. 38 (2.6 mm); 0270SFG models: 6,001-8,000 feet; 0350SRG models: 2,001-4,000 feet
	70684116	Burner Orifice	Drill no. 40 (2.5 mm); 0270SFG models: 8,001-10,000 feet; 0270SRG models: 0-2,000 feet
	70684126	Burner Orifice	Drill no. 42 (2.4 mm); 0350SFG models: 0-2,000 feet
	N/A	Burner Orifice	Drill no. 32 (2.9 mm); 0350SFG models: 2,001-6,000 feet
	70684123	Burner Orifice	Drill no. 34 (2.8 mm); 0350SFG models: 6,001-8,000 feet
	70684117	Burner Orifice	Drill no. 39 (2.5 mm); 0350SRG models: 4,001-6,000 feet

N/A = Part no longer available

Burner Orifice for Natural Gas

Non-CE Models



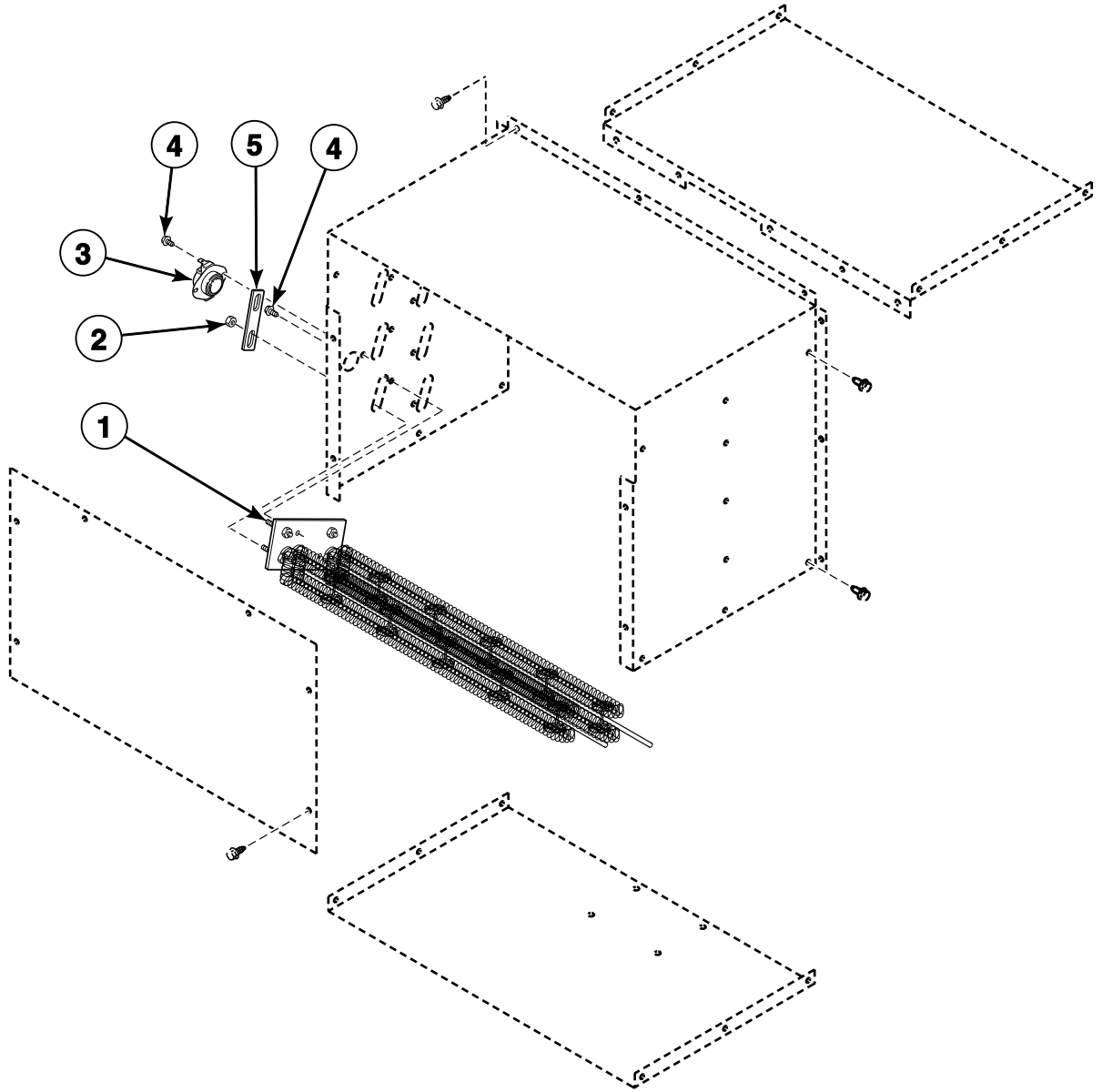
TMB1942PA_70184901

Burner Orifice for Natural Gas

REF	PART NO.	DESCRIPTION	COMMENTS
1	70684100	Burner Orifice	
	70684140	Burner Orifice	Drill no. 22 (4.0 mm); 0220SFG models: 0-2,000 feet; 0270SRG models: 2,001-4,000 feet
	70684139	Burner Orifice	Drill no. 23 (3.9 mm); 0220SFG models: 2,001-4,000 feet
	70684137	Burner Orifice	Drill no. 25 (3.8 mm); 0220SFG models: 4,001-6,000 feet
	70684135	Burner Orifice	Drill no. 27 (3.7 mm); 0220SFG models: 6,001-8,000 feet; 0220SRG models: 4,001-6,000 feet
	70684134	Burner Orifice	Drill no. 28 (3.6 mm); 0220SFG models: 8,001-10,000 feet; 0220SRG models: 6,001-8,000 feet; 0270SRG models: 8,001-10,000 feet
	70684138	Burner Orifice	Drill no. 24 (3.9 mm); 0220SRG models: 0-2,000 feet; 0270SRG models: 4,001-6,000 feet
	70684132	Burner Orifice	Drill no. 25 (3.8 mm); 0220SRG models: 8,001-10,000 feet
	70684148	Burner Orifice	Drill no. 15 (4.6 mm); 0270SFG models: 0-2,000 feet; 0350SRG models: 0-2,000 feet
	70684147	Burner Orifice	Drill no. 16 (4.5 mm); 0270SFG models: 2,001-4,000 feet; 0350SRG models: 2,001-4,000 feet
	70684146	Burner Orifice	Drill no. 17 (4.4 mm); 0270SFG models: 4,001-6,000 feet; 0350SFG models: 8,001-10,000 feet; 0350SRG models: 4,001-6,000 feet
	70684143	Burner Orifice	Drill no. 19 (4.2 mm); 0270SFG models: 6,001-8,000 feet; 0350SRG models: 6,001-8,000 feet
	70684142	Burner Orifice	Drill no. 20 (4.1 mm); 0270SFG models: 8,001-10,000 feet; 0270SRG models: 0-2,000 feet; 0350SRG models: 8,001-10,000 feet
	70684136	Burner Orifice	Drill no. 26 (3.7 mm); 0220SFG models: 2,001-4,000 feet; 0270SRG models: 6,001-8,000 feet
	70070901	Burner Orifice	Drill size 5 mm; 0350SFG models: 0-2,000 feet
	N/A	Burner Orifice	Drill no. 11 (4.9 mm); 0350SFG models: 2,001-4,000 feet
	70684151	Burner Orifice	Drill no. 12 (4.8 mm); 0350SFG models: 4,001-6,000 feet
	70684149	Burner Orifice	Drill no. 14 (4.6 mm); 0350SFG models: 6,001-8,000 feet

N/A = Part no longer available

Electric Heater Components



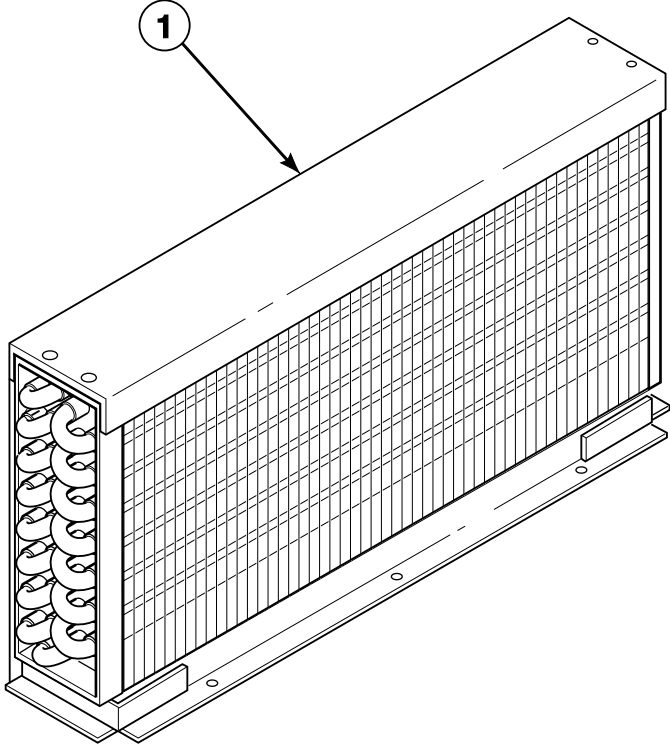
T443PZ3A_70184901

Electric Heater Components

REF	PART NO.	DESCRIPTION	COMMENTS
	70138601P	Cable Heater Assembly	H1-H3
	70138701	Cable Heater Assembly	H4-H6
1	N/A	Heater Element	0220 models; 6 kW; 208 Volt/1 or 3 Phase
	70034412P	Heater Element	0220 models; 6 kW; 240 Volt/1 or 3 Phase; 415-480 Volt/3 Phase
	N/A	Heater Element	0220 models; 6 kW; 220 Volt/3 Phase
	70034413P	Heater Element	0220 models; 3 kW; 220 Volt/3 Phase
	70034404P	Heater Element	0350 models; 8 kW; 208 Volt/1 or 3 Phase
	70034406P	Heater Element	0350 models; 8 kW; 240 Volt/1 or 3 Phase; 415-480 Volt/3 Phase
	70034405P	Heater Element	0350 models; 8 kW; 220 Volt/3 Phase
	70034407P	Heater Element	0350 models; 9 kW; 208 Volt/1 or 3 Phase
	70034409P	Heater Element	0350 models; 9 kW; 240 Volt/1 or 3 Phase; 415-480 Volt/3 Phase
	70034408	Heater Element	0350 models; 9 kW; 220 Volt/3 Phase
	70034401P	Heater Element	0270 models; 7 kW; 208 Volt/1 Phase
	70034402P	Heater Element	0270 models; 7 kW; 220 Volt/3 Phase
	70034403P	Heater Element	0270 models; 7 kW; 240 Volt/1 or 3 Phase; 415-480 Volt/3 Phase
	70034414P	Heater Element	0220 models starting Serial No. 9807017296; 4 kW; 220 Volt/1 or 3 Phase
	70034415P	Heater Element	0220 models starting Serial No. 9807017296; 4 kW; 208 Volt/3 Phase
	70034416P	Heater Element	0220 models starting Serial No. 9807017296; 4 kW; 240 Volt/1 or 3 Phase; 415-480 Volt/3 Phase
2	70054	Nut	
3	M410542	Limit Thermostat	0220 models
	M409443	Limit Thermostat	0270 and 0350 models
4	430497	Screw	
5	70066501	Jumper Bar	

N/A = Part no longer available

Steam Heater

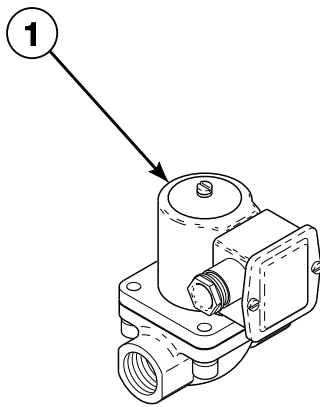


T479PZ3A_70184901

Steam Heater

REF	PART NO.	DESCRIPTION	COMMENTS
	70036001	Air Filter	
	70137801	Thermostat Bracket	
	70139901	Thermostat Cover	
1	70231201P	Steam Coil	Steam (SL) models; 2 row
	70231301P	Steam Coil	Steam (SH) models; 4 row

Steam Solenoid Valve

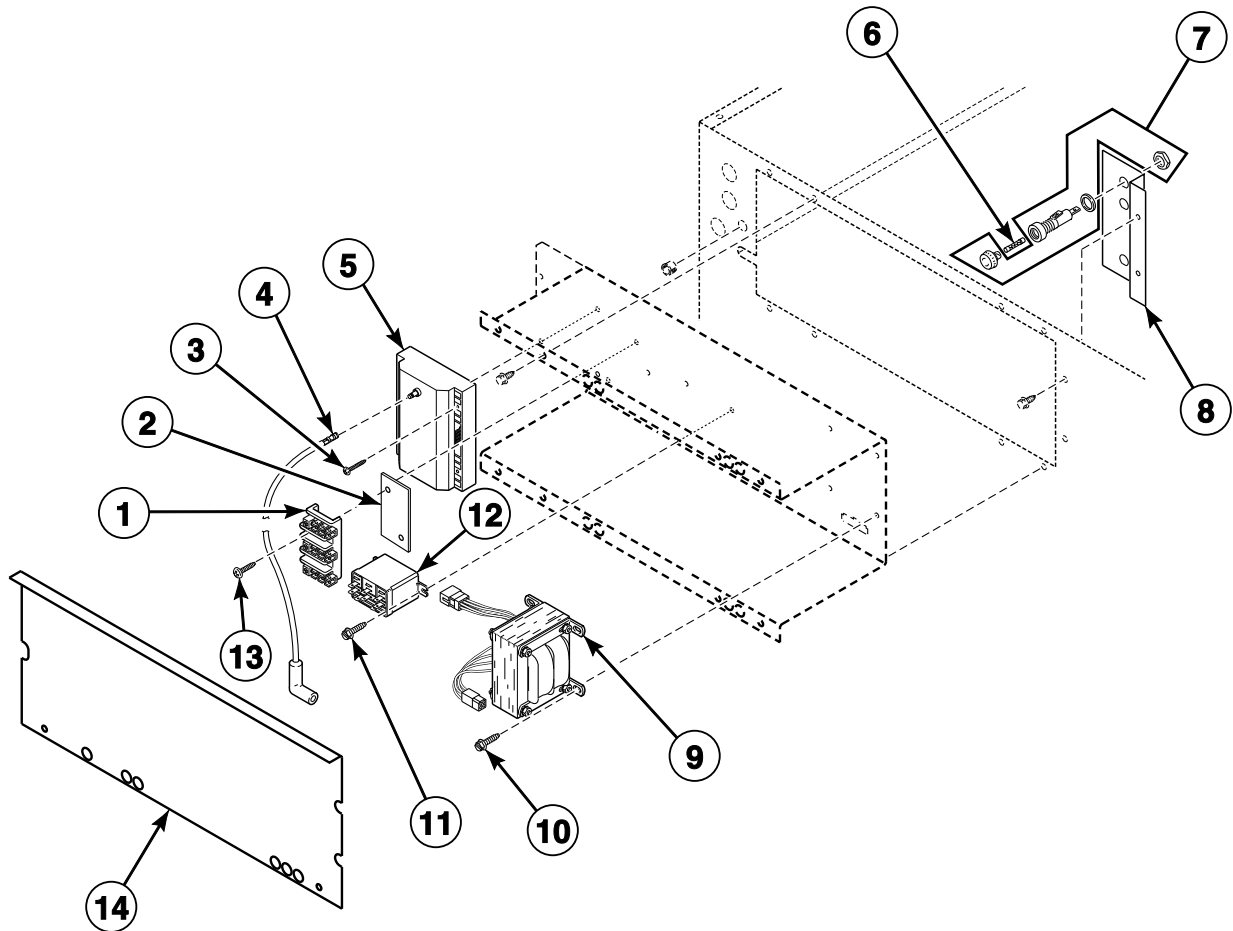


T449PZ3A_70184901

Steam Solenoid Valve

REF	PART NO.	DESCRIPTION	COMMENTS
	70205701P	Steam Valve Coil	Use with 70351001P Steam Valve
	F8514801	Valve Coil	Use with F8322902 Steam Valve
	F8379502	Valve Rebuild Kit	Use with F8322902 Steam Valve
	F8382301	DIN Valve Adapter Kit	Use with F8322902 Steam Valve
1	F8521701	Valve Kit	24 Volt/60 Hertz; Parker valve replacement kit
	F8322903	Steam Valve	50 Hertz; Asco
	F8322902	Steam Valve	60 Hertz; Asco

Control Tray - Non-CE and Non-Australian Gas Models



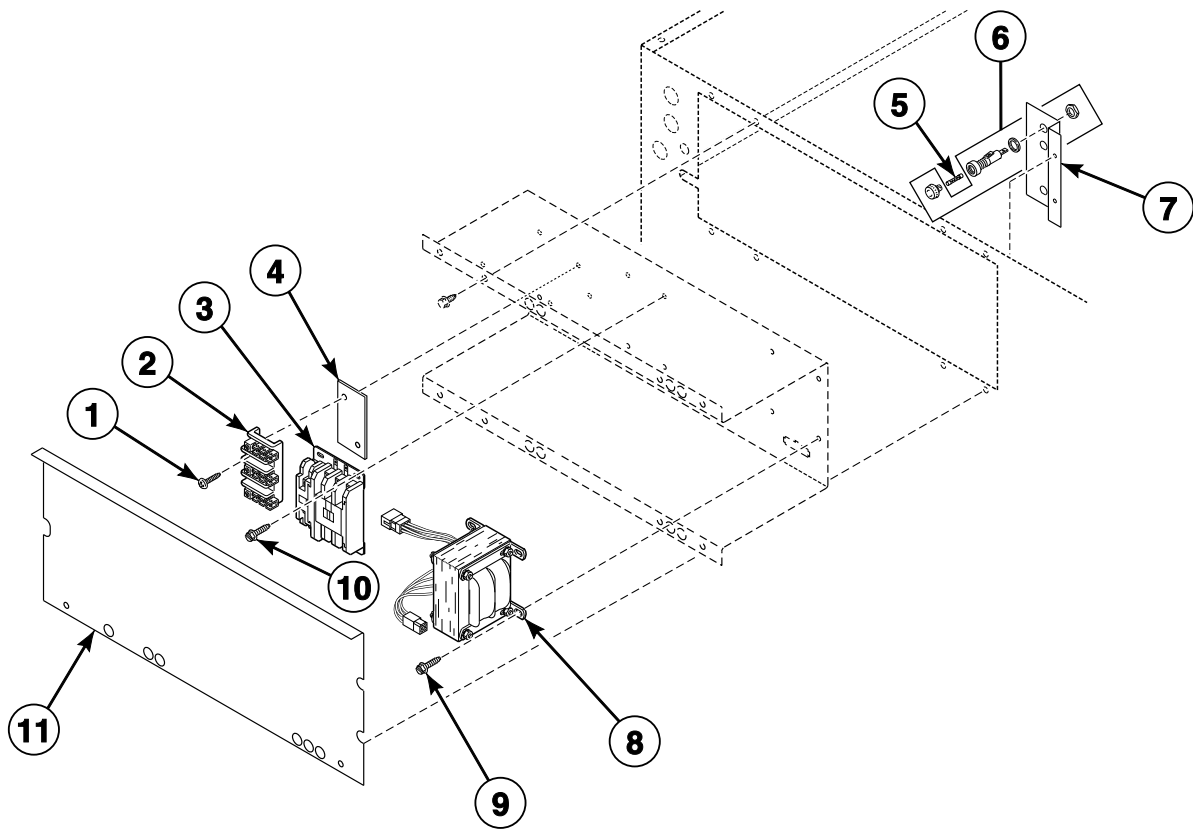
T408PZ3B_70184901

Control Tray - Non-CE and Non-Australian Gas Models

REF	PART NO.	DESCRIPTION	COMMENTS
	M402917	Screw	Green; Ground
	M413863	Network Capacitor Assembly	OM control suffix
	M413930P	Ferrite Core Assembly	OM control suffix
	M413614P	Fan Contactor	3 Phase
	70083001P	Control Tray Harness Assembly	
	70083201	Ignition Control Harness Assembly	
	M413504	Jumper Harness Assembly	100 Volt/1 Phase
	M413505	Jumper Harness Assembly	120 Volt/1 Phase
	M413506	Jumper Harness Assembly	208 Volt/1 or 3 Phase
	M413507	Jumper Configuration Assembly	240 Volt/1 or 3 Phase
	M413508	Jumper Harness Assembly	380 Volt/50 Hertz/3 Phase
	M413509	Jumper Harness Assembly	415 Volt/50 Hertz/3 Phase
	M413510	Jumper Configuration Assembly	480 Volt/60 Hertz/3 Phase
	70055901P	Power Wire Harness Assembly	1 Phase; Terminal block to transformer
	70120201P	Power Harness Assembly	3 Phase; Terminal block to transformer
1	430642	Terminal Block	
2	M413862	Insulator	For terminal block
3	70118801	Screw	
4	70006201	High Voltage Lead	Use with 70367301P Ignition Control
	44239702	High Voltage Suppression Cable	Use with 70458601P Ignition Control
5	70492701	Ignition Control Kit	
6	M413118	Fuse	250 Volt; 2 Amp
	M414232	Fuse	250 Volt; 3.5 Amp
	M414240	Fuse	250 Volt; 2 Amp
	44310001	Fuse	500 Volt; 0.5 Amp
7	91024P	Fuse Receptacle	
	M413544P	Fuse Holder	380-480 Volt
8	N/A	Fuse Bracket	100-240 Volt
	70123801	Fuse Bracket	380-480 Volt
9	M414230P	Transformer	60 Hertz/1 Phase models except OM control suffix; NetMaster models
	M414228P	Transformer	60 Hertz/1 Phase models with OM control suffix; 50 Hertz/3 Phase
	M414312P	Transformer	NetMaster models
	M414229P	Transformer	380-480 Volt
10	33562	Screw	
11	51778	Screw	For relay
	51780	Screw	For contactor
12	70210901P	Relay	1 Phase
13	M405824	Screw	
14	70162601	Control Tray Cover	

N/A = Part no longer available

Control Tray - Non-CE and Non-Australian Steam Models



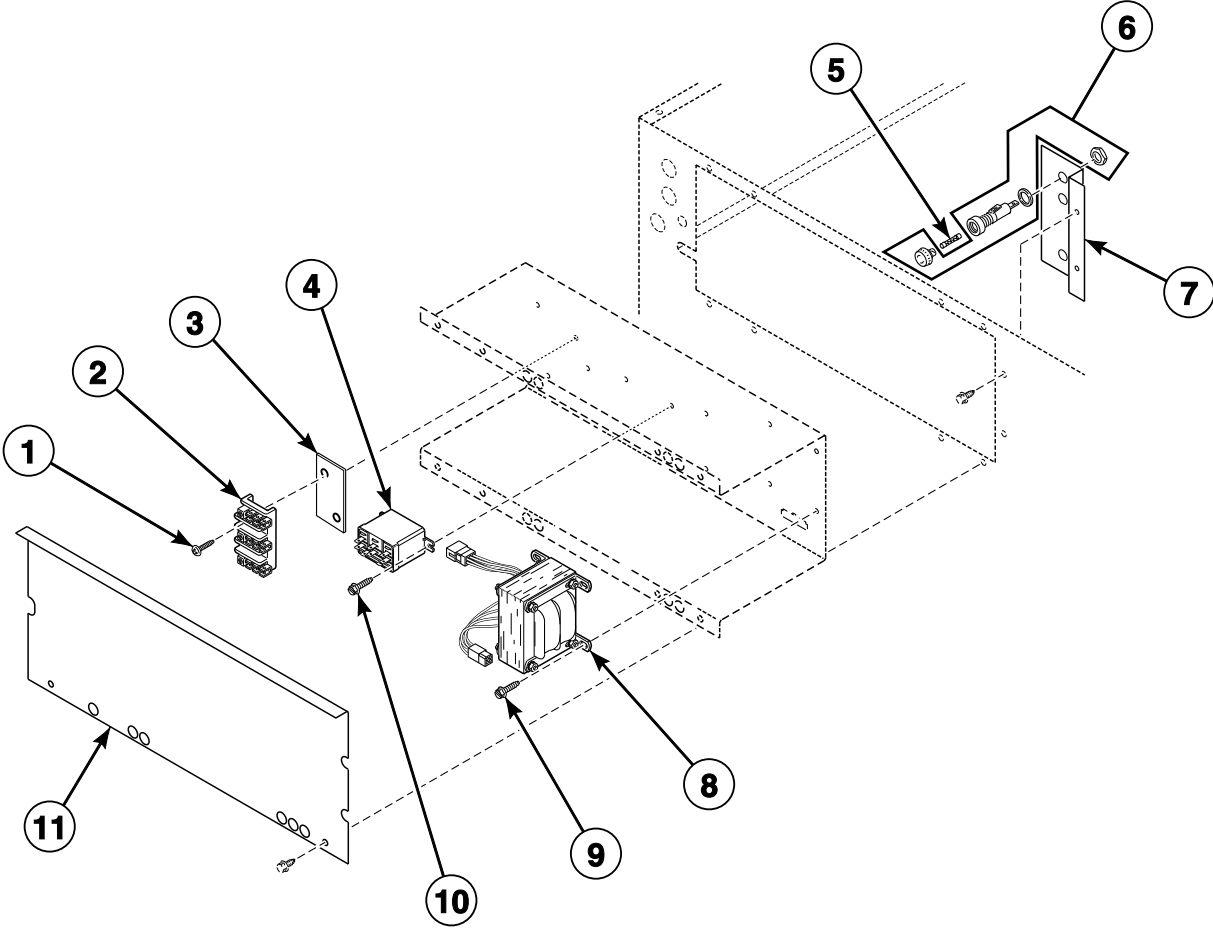
T392PZ3B_70184901

Control Tray - Non-CE and Non-Australian Steam Models

REF	PART NO.	DESCRIPTION	COMMENTS
	M402917	Screw	Green; Ground
	M413863	Network Capacitor Assembly	OM and RM control suffixes
	M413930P	Ferrite Core Assembly	OM and RM control suffixes
	70210901P	Relay	1 Phase
	70083001P	Control Tray Harness Assembly	
	M413504	Jumper Harness Assembly	100 Volt/1 Phase
	M413505	Jumper Harness Assembly	120 Volt/1 Phase
	M413506	Jumper Harness Assembly	208 Volt/1 or 3 Phase
	M413507	Jumper Configuration Assembly	240 Volt/1 or 3 Phase
	M413508	Jumper Harness Assembly	380 Volt/50 Hertz/3 Phase
	M413509	Jumper Harness Assembly	415 Volt/50 Hertz/3 Phase
	M413510	Jumper Configuration Assembly	480 Volt/60 Hertz/3 Phase
	70113101	Steam Jumper Assembly	
	70055901P	Power Wire Harness Assembly	1 Phase; Terminal block to transformer
	70120201P	Power Harness Assembly	3 Phase; Terminal block to transformer
1	M405824	Screw	
2	430642	Terminal Block	
3	M413614P	Fan Contactor	3 Phase
4	M413862	Insulator	For terminal block
5	M413118	Fuse	250 Volt; 2 Amp
	44310001	Fuse	500 Volt; 0.5 Amp
	M414232	Fuse	250 Volt; 3.5 Amp
	M414240	Fuse	250 Volt; 2 Amp
6	91024P	Fuse Receptacle	
	M413544P	Fuse Holder	380-480 Volt
7	N/A	Fuse Bracket	100-240 Volt
	70123801	Fuse Bracket	380-480 Volt
8	M414228P	Transformer	60 Hertz/1 Phase models with OM control suffix; 50 Hertz/3 Phase
	M414230P	Transformer	60 Hertz/1 Phase models except OM control suffix; NetMaster models
	M414312P	Transformer	NetMaster models
	M414229P	Transformer	380-480 Volt
9	M411072	Screw	
10	51778	Screw	For relay
	430497	Screw	For contactor
11	70162601	Control Tray Cover	

N/A = Part no longer available

Control Tray - Non-CE and Non-Australian Electric Models



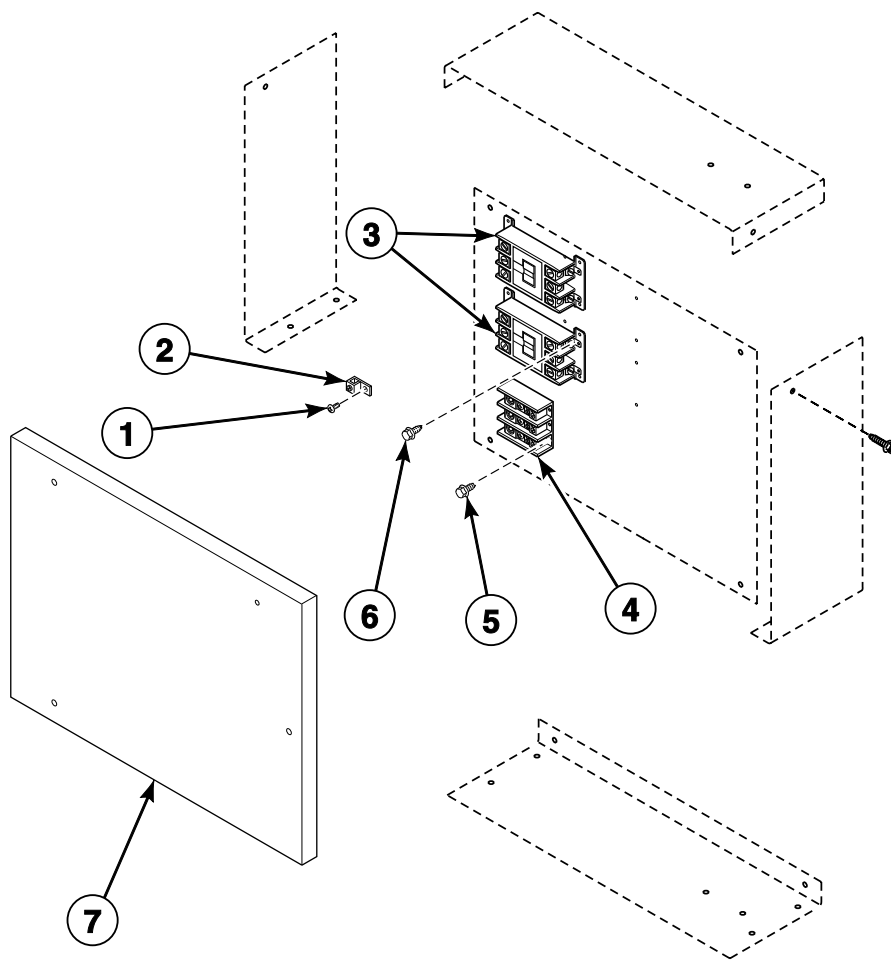
T406PZ3D_70184901

Control Tray - Non-CE and Non-Australian Electric Models

REF	PART NO.	DESCRIPTION	COMMENTS
	70055901P	Power Wire Harness Assembly	1 Phase; Terminal block to transformer
	70120201P	Power Harness Assembly	3 Phase; Terminal block to transformer
	70083001P	Control Tray Harness Assembly	
	M413863	Network Capacitor Assembly	OM control suffix
	M413930P	Ferrite Core Assembly	OM control suffix
	M402917	Screw	Green; Ground
	M413614P	Fan Contactor	3 Phase
	M413505	Jumper Harness Assembly	120 Volt/1 Phase
	M413506	Jumper Harness Assembly	208 Volt/1 or 3 Phase
	M413507	Jumper Configuration Assembly	240 Volt/1 or 3 Phase
	M413508	Jumper Harness Assembly	380 Volt/50 Hertz/3 Phase
	M413509	Jumper Harness Assembly	415 Volt/50 Hertz/3 Phase
	M413510	Jumper Configuration Assembly	480 Volt/60 Hertz/3 Phase
	70142501	Jumper Adapter Harness Assembly	To interlock harness
1	M411072	Screw	
2	430642	Terminal Block	
3	M413862	Insulator	For terminal block
4	70210901P	Relay	1 Phase
5	M414232	Fuse	250 Volt; 3.5 Amp
	44310001	Fuse	500 Volt; 0.5 Amp
	M413118	Fuse	250 Volt; 2 Amp
6	91024P	Fuse Receptacle	250 Volt
	M413544P	Fuse Holder	600 Volt
7	N/A	Fuse Bracket	250 Volt
	70123801	Fuse Bracket	600 Volt
8	M414228P	Transformer	200-240 Volt/50 or 60 Hertz models with OM control suffix
	M414229P	Transformer	380-480 Volt/50 or 60 Hertz models except OM control suffix
9	M405824	Screw	
10	51778	Screw	For motor relay
	430497	Screw	For motor contactor
11	70162601	Control Tray Cover	

N/A = Part no longer available

Accessory Box - Non-CE and Non-Australian Electric Models



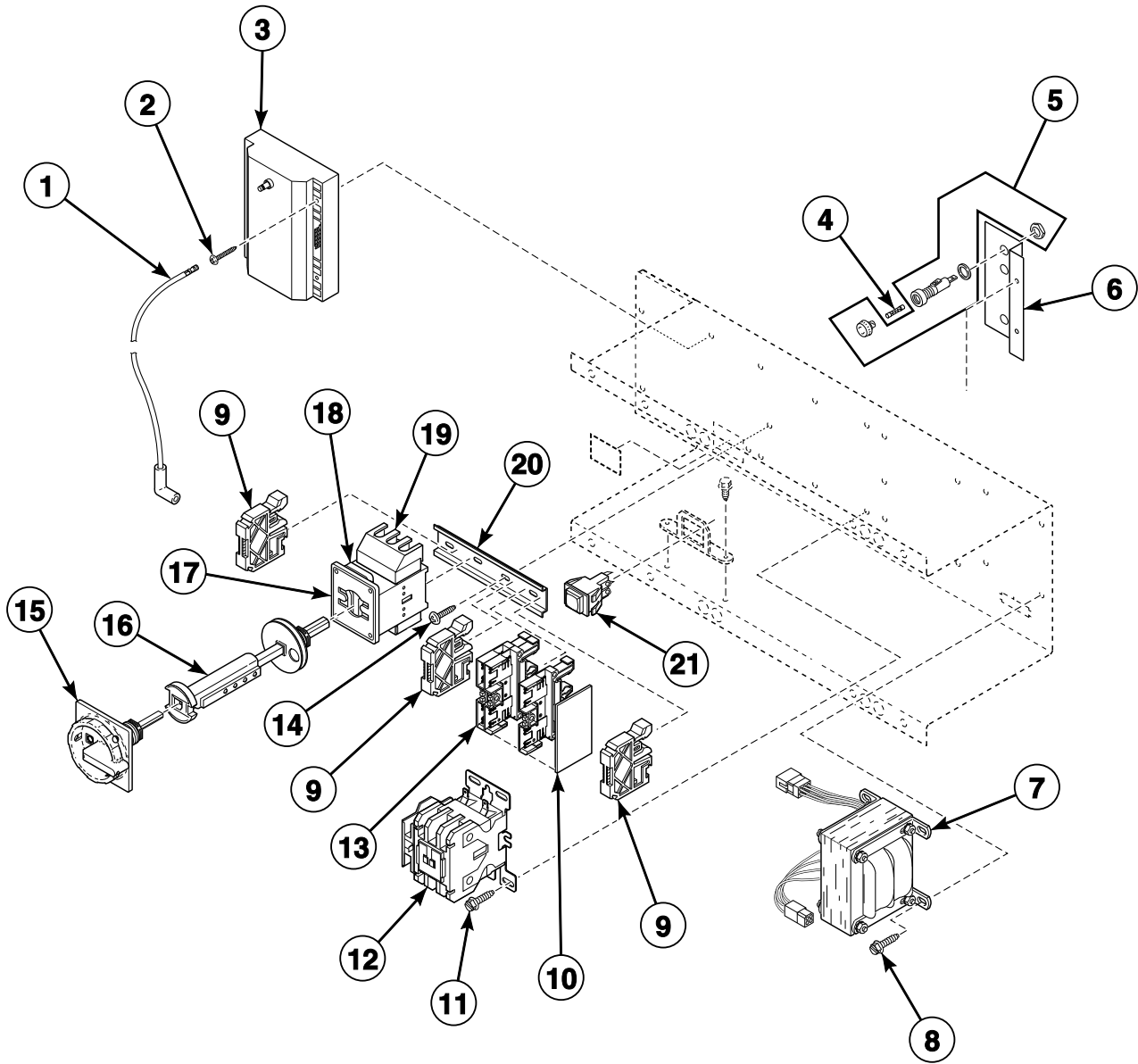
TMB1951P_70184901

Accessory Box - Non-CE and Non-Australian Electric Models

REF	PART NO.	DESCRIPTION	COMMENTS
	M413930P	Ferrite Core Assembly	OM control suffix
	M414121	Jumper Cable Assembly	1 Phase
	44129201P	Jumper Harness	200-240 Volt
	70139101	Jumper Assembly	1 Phase; 8 gauge
	70139001	Jumper Assembly	200-240 Volt; 2 required for 1 Phase; 3 required for 3 Phase; 8 gauge
	M413933	Jumper Cable Assembly	200-240 Volt; 2 required for 1 Phase; 3 required for 3 Phase
	M413934	Jumper Cable Assembly	1 required for 1 Phase; 3 required for 3 Phase
	70139401	Power Harness Assembly	Control tray to accessory box
1	M402917	Screw	Use with item 2
2	M411283	Ground Lug Connector	
3	M4919P3	Electric Heater Contactor Kit	200-240 Volt
	70343301P	Contactor	380 Volt or higher; May require 44137901 DIN Rail to properly mount
4	M413865	Power Distribution Block	3 pole
5	39733	Screw	
6	430497	Screw	
7	N/A	Accessory Box Cover	

N/A = Part no longer available

Control Tray - CE and Australian Gas Models



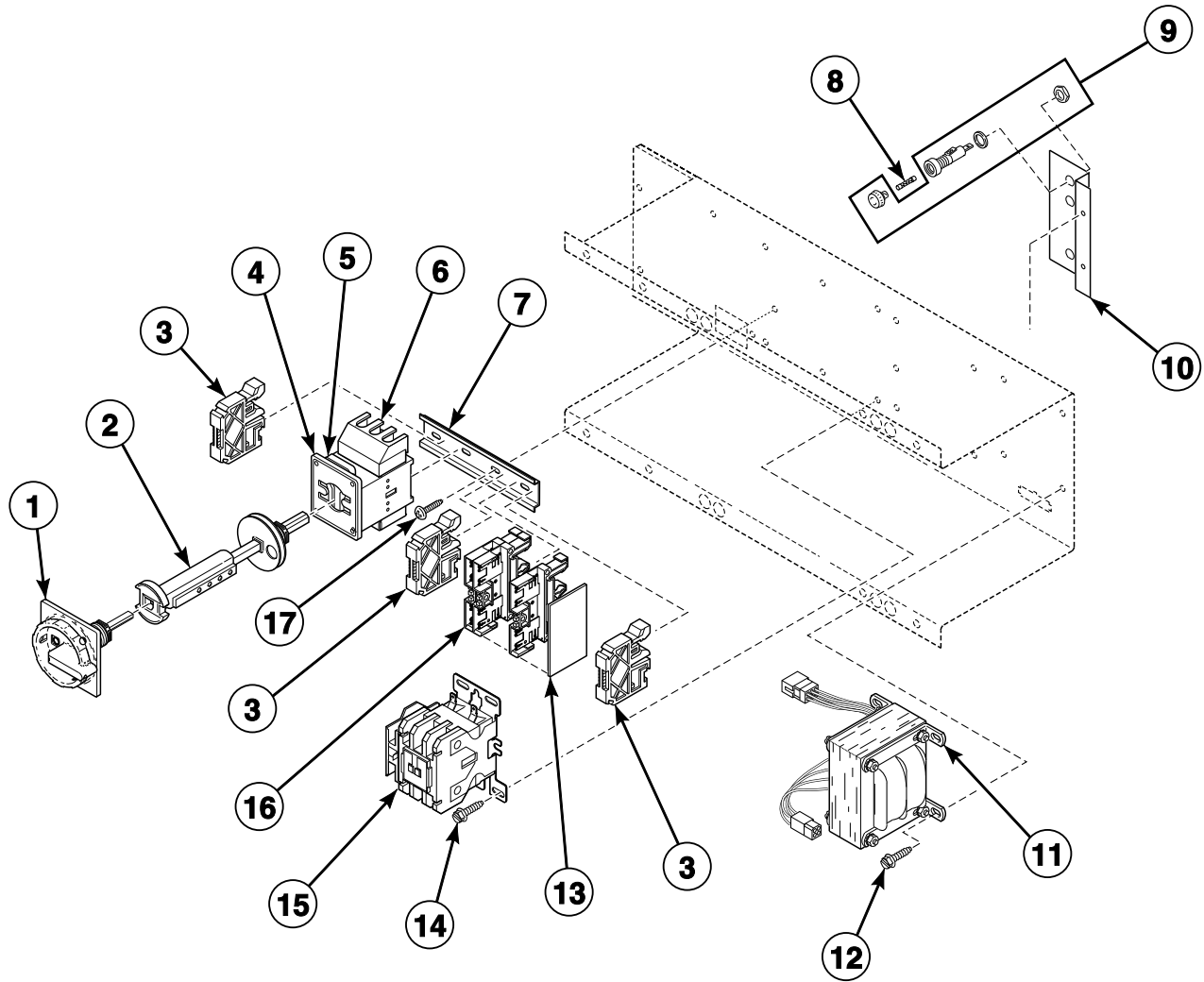
T458PZ3A_70184901

Control Tray - CE and Australian Gas Models

REF	PART NO.	DESCRIPTION	COMMENTS
	70083001P	Control Tray Harness Assembly	
	M402917	Screw	Green; Ground
	M413863	Network Capacitor Assembly	OM and RM control suffixes
	M413930P	Ferrite Core Assembly	OM and RM control suffixes
	M413504	Jumper Harness Assembly	100 Volt/1 Phase
	M413505	Jumper Harness Assembly	120 Volt/1 Phase
	M413507	Jumper Configuration Assembly	240 Volt/1 or 3 Phase
	M413508	Jumper Harness Assembly	380 Volt/50 Hertz/3 Phase
	M413509	Jumper Harness Assembly	415 Volt/50 Hertz/3 Phase
	70083301P	Ignition Control Harness	
	70120901	Jumper Disconnect Assembly	DC, GC, JC, LC, PC and SC models
	70055901P	Power Wire Harness Assembly	1 Phase; Terminal block to transformer
	70120201P	Power Harness Assembly	3 Phase; Terminal block to transformer
1	70006201	High Voltage Lead	Use with 70367401P Ignition Control
	44239702	High Voltage Suppression Cable	Use with 70483201P Ignition Control
2	70118801	Screw	
3	70492801	Ignition Control Kit	
4	44310001	Fuse	500 Volt; 0.5 Amp
	M413867	Fuse	250 Volt; 2 Amp
	M413889	Fuse	250 Volt; 4 Amp
	M414232	Fuse	250 Volt; 3.5 Amp
	M414240	Fuse	250 Volt; 2 Amp
5	D502591P	Fuse Holder Kit	250 Volt
	M413544P	Fuse Holder	380-415 Volt; 500 Volt
6	70123901	Fuse Bracket	200-240 Volt
	70124001	Fuse Bracket	380-415 Volt
7	M414228P	Transformer	200-240 Volt
	M414229P	Transformer	380-415 Volt
8	33562	Screw	
9	70121101	End Cover	3 required
10	70121001	End Stop	1 required
11	51780	Screw	
12	M413614P	Fan Contactor	3 Phase
13	70120001	Terminal Block	3 required
14	430497	Screw	
15	M412208	Handle	
16	M412370	Extension Handle	
17	M412368	Door Interlock	
18	M412187P	Mounting Switch Base	20 Amp
19	M412366	Finger Guard	
20	N/A	Din Rail	
21	M413431	Pushbutton Switch	Lighted

N/A = Part no longer available

Control Tray - CE Steam Models



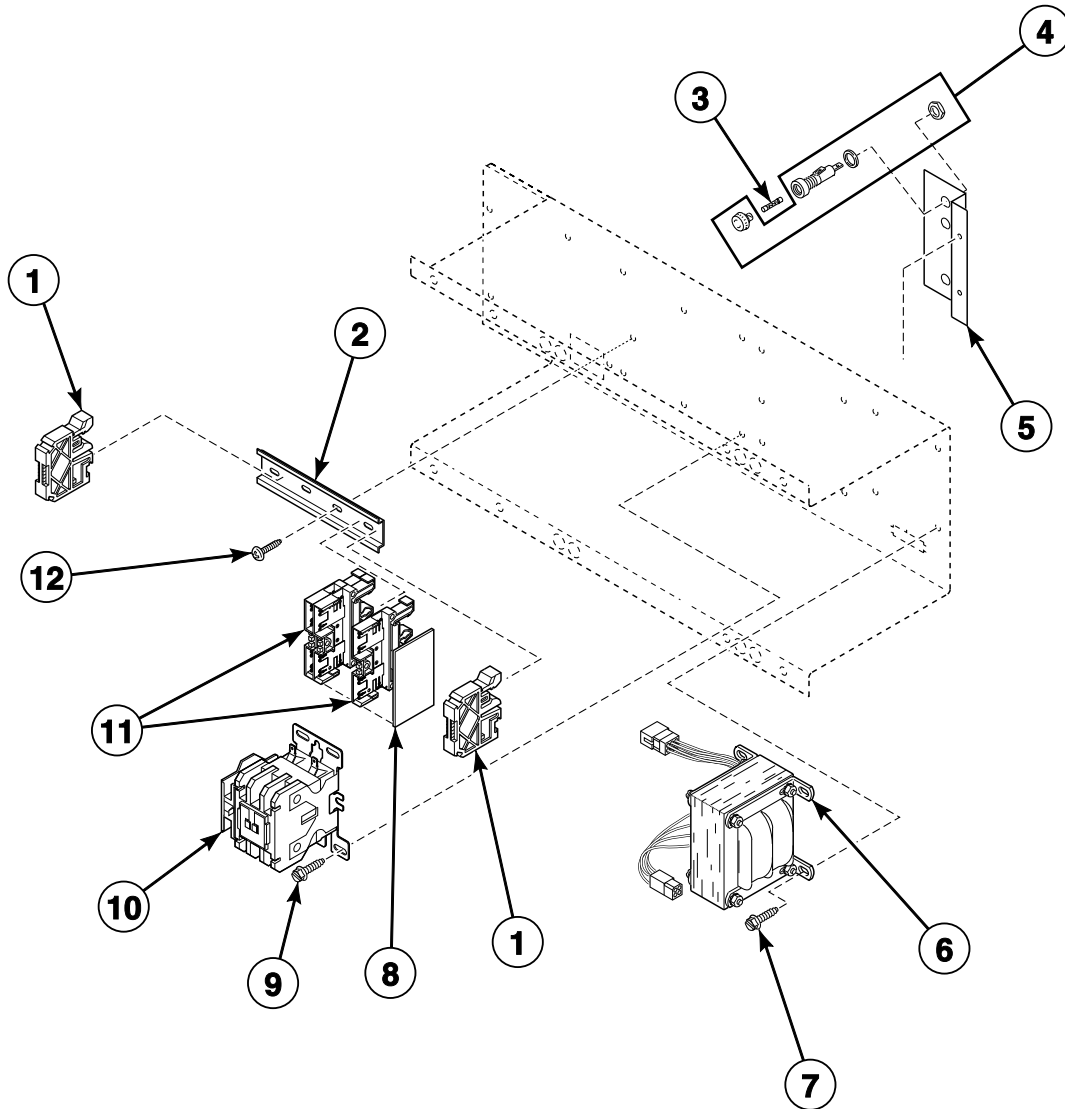
T480P_70184901

Control Tray - CE Steam Models

REF	PART NO.	DESCRIPTION	COMMENTS
	M413863	Network Capacitor Assembly	OM and RM control suffixes
	M413930P	Ferrite Core Assembly	OM and RM control suffixes
	M413504	Jumper Harness Assembly	100 Volt/1 Phase
	M413505	Jumper Harness Assembly	120 Volt/1 Phase
	M413507	Jumper Configuration Assembly	240 Volt/1 or 3 Phase
	M413508	Jumper Harness Assembly	380 Volt/50 Hertz/3 Phase
	M413509	Jumper Harness Assembly	415 Volt/50 Hertz/3 Phase
	70113101	Steam Jumper Assembly	
	70120901	Jumper Disconnect Assembly	
	70055901P	Power Wire Harness Assembly	1 Phase; Terminal block to transformer
	70120201P	Power Harness Assembly	3 Phase; Terminal block to transformer
	70083001P	Control Tray Harness Assembly	
1	M412208	Handle	
2	M412370	Extension Handle	
3	70121001	End Stop	2 required
4	M412368	Door Interlock	
5	M412187P	Mounting Switch Base	20 Amp
6	M412366	Finger Guard	
7	N/A	Din Rail	
8	44310001	Fuse	500 Volt; 0.5 Amp
	M413867	Fuse	250 Volt; 2 Amp
	M413889	Fuse	250 Volt; 4 Amp
	M414240	Fuse	250 Volt; 2 Amp
9	D502591P	Fuse Holder Kit	
	M413544P	Fuse Holder	380-415 Volt
10	70123901	Fuse Bracket	
	70124001	Fuse Bracket	
11	M414228P	Transformer	200-240 Volt
	M414229P	Transformer	380-415 Volt
12	M411072	Screw	
13	70121101	End Cover	1 required
14	51780	Screw	
15	M413614P	Fan Contactor	
16	70120001	Terminal Block	3 required
17	430497	Screw	

N/A = Part no longer available

Control Tray - CE Electric Models



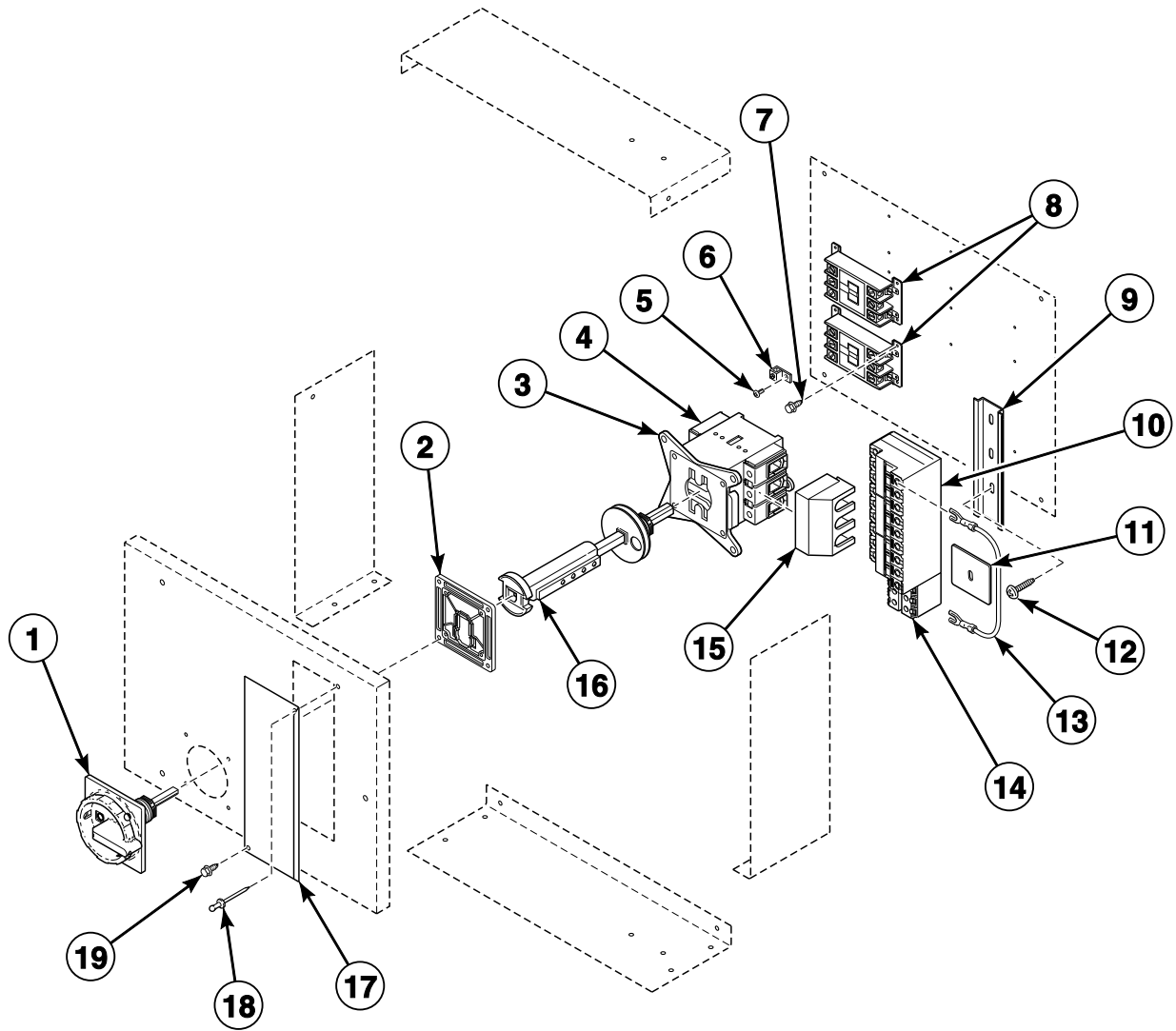
T481P_70184901

Control Tray - CE Electric Models

REF	PART NO.	DESCRIPTION	COMMENTS
	M413863	Network Capacitor Assembly	OM and RM control suffixes
	M402917	Screw	Green; Ground
	M413505	Jumper Harness Assembly	120 Volt/1 Phase
	M413507	Jumper Configuration Assembly	240 Volt/1 or 3 Phase
	M413508	Jumper Harness Assembly	380 Volt/50 Hertz/3 Phase
	M413509	Jumper Harness Assembly	415 Volt/50 Hertz/3 Phase
	70142501	Jumper Adapter Harness Assembly	To interlock harness
	70055901P	Power Wire Harness Assembly	1 Phase; Terminal block to transformer
	70120201P	Power Harness Assembly	3 Phase; Terminal block to transformer
	70083001P	Control Tray Harness Assembly	
1	70121001	End Stop	
2	N/A	Din Rail	
3	M413889	Fuse	250 Volt; 4 Amp
	44310001	Fuse	500 Volt; 0.5 Amp
	M413867	Fuse	250 Volt; 2 Amp
4	D502591P	Fuse Holder Kit	
	M413544P	Fuse Holder	380-415 Volt
5	70123901	Fuse Bracket	Low voltage
	70124001	Fuse Bracket	High voltage
6	M414228P	Transformer	200-240 Volt/50 or 60 Hertz models with OM control suffix
	M414229P	Transformer	380-480 Volt/50 or 60 Hertz models except OM control suffix
7	70118801	Screw	
8	70121101	End Cover	
9	M411072	Screw	
10	M413614P	Fan Contactor	1 or 3 Phase
11	70120001	Terminal Block	
12	430497	Screw	

N/A = Part no longer available

Accessory Box - CE Electric Models



TMB1858P_70184901

Accessory Box - CE Electric Models

REF	PART NO.	DESCRIPTION	COMMENTS
	70138901	Jumper Assembly	230 Volt/50 Hertz/1 Phase; 2 gauge
	70138801	Jumper Assembly	3 Phase; 6 gauge
	M413934	Jumper Cable Assembly	1 required for 1 Phase; 3 required for 3 Phase
	70139401	Power Harness Assembly	Control tray to accessory box
1	70268001	Handle	
2	M412369	Door Interlock	
3	N/A	Disconnect Switch Gasket	
4	M412186	Mounting Switch Base	100 Amp
5	M402917	Screw	
6	M411283	Ground Lug Connector	
7	51780	Screw	
8	M4919P3	Electric Heater Contactor Kit	200-240 Volt
	70343301P	Contactor	380-415 Volt; May require 44137901 DIN Rail to properly mount
9	N/A	Din Rail	380-415 Volt/50 Hertz/3 Phase; 127 mm
	M412693	Din Rail	380-415 Volt/50 Hertz/3 Phase; 165 mm
10	M412401	Circuit Breaker	230 Volt/50 Hertz/1 Phase; 8 Amp
	M412407P	Circuit Breaker	380-415 Volt/50 Hertz/3 Phase; 8 Amp
	M412402	Circuit Breaker	0220 models; 230 Volt/50 Hertz/1 or 3 Phase; 32 Amp
	M412406	Circuit Breaker	0270 models; 230 Volt/50 Hertz/1 or 3 Phase; 40 Amp
	M412408P	Circuit Breaker	0350 models; 230 Volt/50 Hertz/1 or 3 Phase; 50 Amp
11	44014901P	Power Distribution Block Cover	
12	430497	Screw	
13	M413934	Jumper Cable Assembly	8 inches
	44014701	Jumper Wire	10.5 inches
	44014801	Jumper Wire	13 inches
	44014601	Jumper Wire	6.25 inches
	M413933	Jumper Cable Assembly	7.5 inches
14	M413865	Power Distribution Block	230 Volt/50 Hertz/1 Phase; 380-415 Volt/50 Hertz/3 Phase
15	M412367	Finger Guard	
16	M412371P	Extension Handle	
17	70133901	Electrical Box Access Cover	
18	70058501	Pop Rivet	
19	51780	Screw	

N/A = Part no longer available

Parts Index

A

Adapter	
70131901	59
Adhesive	
D511637P	39, 41
Air Filter	
70036001	67
Airflow Switch	
70267301	55
Airflow Switch Bracket	
70266301	55
Airflow Switch Cover	
70281801	55
Airflow Switch Kit	
70270901P	55
Airflow Switch Vane	
70266201	55
Axial Plate	
70194501	43

B

Baffle Gasket	
70015701	35
70015702	35
70015703	35
Belt	
70276202P	43
70276203P	43
Belt Tension Tool Kit	
M4853P3	43
Blower Assembly	
70359801P	49
Blower Motor	
70337501P	51, 53
70342601P	51, 53
Blower Motor Kit	
70337701P	51, 53
Blower Motor Mounting Plate	
70012001	49
Bolt	
70062401	43, 49
70189201	39
Burner Grill	
70188801	55, 57
Burner Orifice	
70070901	63
70684100	63
70684108	61
70684110	61
70684112	61
70684114	61
70684115	61
70684116	61
70684117	61
70684118	61
70684120	61
70684121	61
70684123	61

70684126	61
70684132	63
70684134	63
70684135	63
70684136	63
70684137	63
70684138	63
70684139	63
70684140	63
70684142	63
70684143	63
70684146	63
70684147	63
70684148	63
70684149	63
70684151	63
Bushing	
70027701	43

C

Cable Heater Assembly	
70138601P	65
70138701	65
Card Reader	
39685P	11
Card Reader and Bracket Assembly	
D510068P	21
Card Reader Harness Assembly	
431613	11
70211801	21
Card Reader Network Harness Assembly	
70206601	21
Center Cylinder Seal	
70066003	35
70066004	35
Circuit Board Support	
34896	13, 17, 19
Circuit Breaker	
M412401	85
M412402	85
M412406	85
M412407P	85
M412408P	85
Clip	
70226701	35
Coin Chute Assembly	
70296401	35
Coin Drop	
38963P	9
70256402P	9
70441601P	9
Coin Drop Assembly	
210195	9
210196	9
38462P	9
38463	9
38464P	9
38467	9
38472	9
38475	9
38519	9

N/A items do not appear in index.

Door Latch M401223	31
Door Ring Gasket 70296801	37
Door Switch 70125101	31
Door Switch Actuator Kit 70215001P	37
Door Switch Bracket 70119301	31
Down Rated Burner Kit M4729P3	59
Drive Access Cover 70196301	49
Drive Motor 70261901	45
70337801P	45
70338101P	45
Drive Motor and Pulley Assembly 70281202	47
Drive Motor Assembly 70062803P	47
Drive Motor Harness 70053601P	43
Drive Motor Kit 70338001P	45
Drywall Screw Magnet Kit 70343101P	39
Dual Overlay Kit 70216501P	7
70216601P	7
70216701P	7
70216801P	7
70216901P	7

E

Elbow 70079601	59
Electric Heater Contactor Kit M4919P3	77, 85
Electrical Box Access Cover 70133901	85
Electronic Coin Control Kit M4686P3	7, 23
Electronic Coin Drop Harness 44065801	9
Electronic OPL Control Kit M4689P3	19
M4695P3	19
Emergency Stop Switch Harness Assembly 70083901	31
70235301	31
End Cap 70070101	39, 41
End Cover 70121101	79, 81, 83
End Stop 70121001	79, 81, 83
Exhaust Thimble 70015601	49
70017801	49

Expansion Clip 70030501	31
Extension Handle M412370	79, 81
M412371P	85

F

False Front 70000501*P	29
70000502	29
70021101*P	29
70024202P	29
False Front Assembly 70021102P	29
70024001*P	29
70024002P	29
70024201*P	29
Fan Contactor M413614P	71, 73, 75, 79, 81, 83
Fan Motor Harness Assembly 70083401	49
70083501	49
Ferrite Core Assembly M413930P	71, 73, 75, 77, 79, 81
Finger Guard M412366	79, 81
M412367	85
Flat Top 70000301	35
70018601	35
Front Panel Assembly 70176201*P	29
70176202P	29
70176203*P	29
70176204P	29
70176206P	29
70176207*P	29
70176208	29
70176210	29
70176301*P	29
70176302	29
70176303*	29
70176304	29
70176305*P	29
70176306	29
70176307*P	29
70176308	29
70176309*	29
70176310P	29
Front Panel Insulation 70155301	31
70155401	31
Front Panel Seal 70173401P	29
Fuse M413118	71, 73, 75
M413867	79, 81, 83
M413889	79, 81, 83
M414232	71, 73, 75, 79
M414240	71, 73, 79, 81
44310001	71, 73, 75, 79, 81, 83
70406501	19
Fuse Bracket 70123801	71, 73, 75

N/A items do not appear in index.

70123901	79, 81, 83
70124001	79, 81, 83
Fuse Holder	
M413544P	71, 73, 75, 79, 81, 83
Fuse Holder Kit	
D502591P	79, 81, 83
Fuse Receptacle	
91024P	71, 73, 75

G

Gas Burner	
70229801P	55
Gas Shut-Off Valve	
M412562P	59
Gas Valve Bracket	
70233301	59
Gas Valve Coil	
70260101	59
Gas Valve Harness Assembly	
M413650	59
Gas Valve Kit	
70482301	59
Gasket	
70289101P	33
Ground Lug Connector	
M411283	77, 85
Ground Screw	
M402917	79

H

Handle	
M412208	79, 81
70268001	85
Handle and Caps Assembly	
70154401	33
70154402	33
70154403	33
70154404	33
Heater Element	
70034401P	65
70034402P	65
70034403P	65
70034404P	65
70034405P	65
70034406P	65
70034407P	65
70034408	65
70034409P	65
70034412P	65
70034413P	65
70034414P	65
70034415P	65
70034416P	65
High Limit Harness	
70067001P	35
High Voltage Lead	
70006201	71, 79
High Voltage Suppression Cable	
44239702	71, 79

Hinge	
D503676	49
Hinge Cam Kit	
M4772P3	37
Hold-Down Clip	
35865	35
Hole Plug	
70063201	35

I

Idler Pivot Bracket	
70200901	43
Idler Wheel Assembly	
70050401P	43
Igniter Cover	
70159601	55
Ignition Control Harness	
70083301P	79
Ignition Control Harness Assembly	
70083201	71
Ignition Control Kit	
70492701	71
70492801	79
Indicator Light	
70082201	13, 17
Insulator	
M413862	71, 73, 75

J

Jumper Adapter Harness Assembly	
70142501	75, 83
Jumper Assembly	
70138801	85
70138901	85
70139001	77
70139101	77
Jumper Bar	
70066501	65
Jumper Bypass Assembly	
70084001	35
Jumper Cable Assembly	
M413933	77, 85
M413934	77, 85
M414121	77
Jumper Calibration Assembly	
70084201	7, 11
70084301	19
70084303	19
70211701	21, 23
70211702	21, 23
70211703P	23
Jumper Configuration Assembly	
M413507	71, 73, 75, 79, 81, 83
M413510	71, 73, 75
70084101	13, 17
70084102	13, 17
Jumper Disconnect Assembly	
70120901	79, 81
Jumper Harness	
44129201P	77

N/A items do not appear in index.

Jumper Harness Assembly	
M413504	71, 73, 79, 81
M413505	71, 73, 75, 79, 81, 83
M413506	71, 73, 75
M413508	71, 73, 75, 79, 81, 83
M413509	71, 73, 75, 79, 81, 83

Jumper Wire	
44014601	85
44014701	85
44014801	85

K

Key	
70144101	49
70155601	31
70155602	31

Kickplate	
70117601	33
70117602	33
70117603	33
70117604	33

Knob	
M410927	17

L

Leveling Leg	
34319	35

Limit Thermostat	
M409219	55
M409443	55, 65
M410542	65
M411307	49

Lint Panel Assembly	
70176601*P	33
70176602P	33
70176604	33
70176605*	33
70176702P	33
70176704	33
70176705*	33
70176706	33
70176707*	33
70176708	33

Lint Panel Switch	
70016001	35

Lint Panel Switch Bracket	
70019301	35

Lint Screen	
70290401	35

Lint Screen Clip	
70054501	35

Lock, Key and Nut Kit	
44089301P	31
44089302P	31

L.P. Conversion Kit	
M4699P3	59
M4703P3	59
M4706P3	59
M4711P3	59

L.P. Valve	
70457302P	59

L.P. Valve Conversion Kit	
M4734P3	59

M

Main Harness Assembly	
70204801	23

Manual Reset Thermostat	
M411938	55
M411945	49
70186301	55

Manual Timer Control Kit	
M4690P3	17

Motor Bracket Assembly	
70197101	43

Motor Bracket Spring	
70051401	43

Motor Pivot Shaft	
70187801	43

Motor Pulley	
70189104	43
70284201	43
70284202	43
70284203	43

Mounting Bracket	
70063501	13, 17, 19
70080701	13, 17
70178901	13, 17

Mounting Plate	
70208801	21

Mounting Switch Base	
M412186	85
M412187P	79, 81

Multiplier Harness Assembly	
431611	7

N

Nameplate Bezel	
70117401	31

Nameplate Overlay	
70115601	31
70128301	31

Network Board	
210157P	27

Network Board Assembly	
210016P	25

Network Cable	
210165	27

Network Capacitor Assembly	
M413863	71, 73, 75, 79, 81, 83

Network Plug Support	
70201401	25

Network Wire Harness Assembly	
800217	25

Nut	
M400022	39, 41, 49
M400034	39, 41, 49
M400977	17
M400979	55
M414215	37
21899	35

N/A items do not appear in index.

23951	33
29786	43
430576	35
44087201	39, 41, 43, 49
56156	43, 49
70054	7, 11, 13, 17, 19, 23, 37, 65
70072901	31, 35
70142	39, 43
N.G. Heater Assembly M413997	59
N.G. Valve 70457301P	59
N.G. Valve Conversion Kit M4733P3	59

O

Opto Coupler 200674P	9
O-Ring 431482	59
Overlay	
70113501	13
70113701	7
70114101	7
70114201	17
70114301	13
70114501	17
70115801	19
70128001	7
70128401	19
70128501	7
70128601	19
70128701	19
70130101	7
70130301	19
70130401	19
70130501	19
70130601	19
70130701	19
70130801	7
70131001	13
70134801	13
70134901	17
70135301	19
70173601	7
70184301	23
70184302	23
70184401	21
70239601	23
70239602	23
70245901	17

P

Panel Locator 56079	31, 33, 49
Partition Baffle	
70015201	35
70022001	35
70022101	35
PC Board Standoff 210098	27

Pin 70071401	37
Pipe Nipple 431486	59
Pop Rivet	
M400003	31
70058501	85
70126301	33
70126401	33
Power Distribution Block M413865	77, 85
Power Distribution Block Cover 44014901P	85
Power Harness Assembly	
70120201P	71, 73, 75, 79, 81, 83
70139401	77, 85
Power Wire Harness Assembly 70055901P	71, 73, 75, 79, 81, 83
Primary Air Adjustment Sleeve 70239801	59
Pushbutton Switch	
M413431	79
70413301	7, 11, 21, 23, 31

R

Rear Cylinder Bearing Housing 70013901	39, 41
Rear Cylinder Channel	
70257101	41
70257301	41
Rear Cylinder Channel Plate	
70257201	41
70257401	41
Rear Cylinder Seal	
70013701P	39, 41
70013702	39, 41
Rear Cylinder Seal Support	
70506401	39, 41
70506402	39, 41
Relay	
M412534	13, 17, 19
70210901P	71, 73, 75
Replacement Door Handle Kit 70133501P	37
Resilient Motor Kit M4716P3	43, 45
Roller and Seal Kit 70616701	35
Roller Catch Arm 70030301	33
Roller Catch Spacer 70030201	33
Roller Catch Wheel 70297601	33
Roller Shaft 70017701	35
Rotary Coin Drop Control Kit M4688P3	13
Rotary Drop Shroud 70061701	13

N/A items do not appear in index.

S

Screw

D501524	7, 11, 21, 23, 37
M400661	37
M401938	31, 35, 55
M402797	13, 17, 19
M402917	71, 73, 75, 77, 79, 83, 85
M405824	71, 73, 75
M409385	37
M411052	17
M411072	49, 73, 75, 81, 83
05161	55
23222	59
33562	71, 79
39733	31, 33, 43, 49, 77
430497	25, 31, 35, 41, 49, 55, 57, 59, 65, 73, 75, 77, 79, 81, 83, 85
430648	43
430756	37
430757	33, 37
51778	71, 73, 75
51780	55, 71, 79, 81, 85
61199	37
62588	39, 41
70033502	37
70072801	33
70118801	71, 79, 83
70126101	49
70132301	31
70566401	43
Shadow Box Clip M400972	13, 31
Single Motor Pivot Shaft 70012501	43
Spark Electrode 70032801P	55
Spud Adapter 70223501	59
Start Switch 70108501	13, 17
Steam Coil 70231201P	67
70231301P	67
Steam Jumper Assembly 70113101	73, 81
Steam Valve F8322902	69
F8322903	69
Steam Valve Coil 70205701P	69
Support Bearing 430038	39
70448701	41

T

Temperature Kit 70475001P	13, 17
Temperature Knob 70080601	13, 17
Terminal Block 430642	71, 73, 75
70120001	79, 81, 83

Thermal Shield 70036601	35
Thermistor M414704	49
Thermostat Bracket 70137801	67
Thermostat Cover 70139901	67
Thermostat Module 431347P	13, 17
Timer M412079P	17
70131701P	17
70131801P	17
Timer Control Assembly 70175301P	13, 17
Timer Knob 70082101	17
Timer Motor 70218201	13
70218301	13
Transformer M414228P	71, 73, 75, 79, 81, 83
M414229P	71, 73, 75, 79, 81, 83
M414230P	71, 73
M414312P	71, 73
Trunnion and Seal Kit 70564803	39, 41
Tumbler Dolly Kit M4379P4	33

U

U-Bolt 70186101	43
U-Bolt Plate 70186601	43
Union H86000031	59

V

Valve Bracket and Cover Kit M4747P3	57
Valve Coil F8514801	69
Valve Kit F8521701	69
Valve Rebuilt Kit F8379502	69

W

Washer F430311	31
M400013	39
M400991	39, 41, 49
M405535	13
Wire Guard 201595P	9

N/A items do not appear in index.

